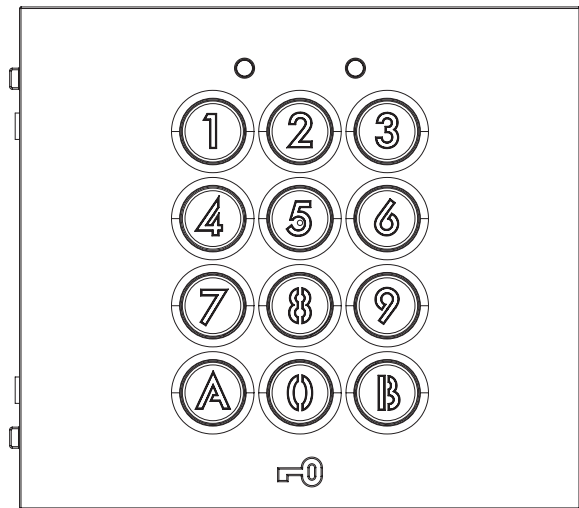


AIPHONE

GT-AC

Access Control keypad Module
Module clavier à codes rétro-éclairé
GH / GT-Codeschlossmodul
Módulo de teclado de control de acceso
Codeklavier-module



GT-AC

INSTALLATION & OPERATION MANUAL
NOTICE D'INSTALLATION ET D'UTILISATION
INSTALLATIONS- UND BEDIENUNGSANLEITUNG
MANUAL DE INSTALACIÓN Y USO
INSTALLATIE & GEBRUIKSHANDLEIDING

RECORD OF SETTINGS AND REGISTRATION DETAILS (Please make sure to write down your settings below.)
AIDE MEMOIRE DES PROGRAMMATIONS ENREGISTREES (Faire en sorte de bien noter vos réglages ci-dessous.)
VERZEICHNIS DER EINSTELLUNGEN UND REGISTRIERUNGSDETAILS (Bitte notieren Sie unten Ihre Einstellungen.)
DATOS DE CONFIGURACIÓN Y DETALLES DE LOS REGISTROS (Asegúrese de apuntar los valores de ajuste abajo.)
LIJST MET GEPROGRAMMEERDE INSTELLINGEN EN CODES (Zorg ervoor uw instellingen hieronder op te schrijven.)

Master code Code maître Mastercode Código maestro Hoofdcode		
Key illumination time Temporisation d'éclairage Tastenbeleuchtungszeit Tiempo de encendido de las teclas Verlichtingsduur klavier		sec/sek/seg
Relay output time Temporisation des relais Relais Ausgabezeit Tiempo de salida Relé Relais outputtijd	Relay 1 Relais 1 Relais 1 Relé 1 Relais 1	sec/sek/seg
	Relay 2 Relais 2 Relais 2 Relé 2 Relais 2	sec/sek/seg

External output setting Paramétrage de sortie externe Externer Ausgang Ajuste de la salida externa Activering Alarmuitgang	<input type="checkbox"/> ON EIN AAN	<input type="checkbox"/> OFF AUS UIT
Lockout Blocage Eingabe-Sperre Bloqueo Blokkering klavier	<input type="checkbox"/> ON EIN AAN	<input type="checkbox"/> OFF AUS UIT
Auto-relock Auto-reverrouillage Automatische Neuverriegelung Re-bloqueo automático Automatische hersluiting	<input type="checkbox"/> ON EIN AAN	<input type="checkbox"/> OFF AUS UIT
Timer-linked unlocking Déverrouillage lié à l'horloge Timergesteuerte Entriegelung Desbloqueo conectado al temporizador Tijdsgebonden ontgrendeling	<input type="checkbox"/> 1	<input type="checkbox"/> 2
	<input type="checkbox"/> 1&2	
Operation tone Bip de fonctionnement Signaltöne Tono de operación Zoemer klavier	<input type="checkbox"/> ON EIN AAN	<input type="checkbox"/> OFF AUS UIT

Registered User Code List / Liste des codes utilisateur programmés / Liste der registrierten Zugangscodes
Lista de códigos de los usuarios registrados / Lijst Codes Geregistreerde Gebruikers

group 1 / groupe 1 / gruppe 1 / grupo 1 / groep 1				
00				
01				
02				
03				
04				
05				
06				
07				
08				
09				
10				
11				
12				
13				
14				
15				
16				
17				
18				
19				
20				
21				
22				
23				
24				
25				
26				
27				
28				
29				

group 2 / groupe 2 / gruppe 2 / grupo 2 / groep 2				
60				
61				
62				
63				
64				
65				
66				
67				
68				
69				
70				
71				
72				
73				
74				
75				
76				
77				
78				
79				
80				
81				
82				
83				
84				
85				
86				
87				
88				
89				

PRECAUTIONS

- ⊘ General Prohibitions
- ⊘ Prohibition to Dismantle the Unit
- Ⓛ General Precautions

WARNING

(Negligence could result in death or serious injury to people)

- ⊘1. Do not connect any non-specified power source to the V, V terminals, and do not install two power supplies in parallel to a single input. Fire, damage to the unit, or system malfunction could result.
- ⊘2. The unit is not explosion-proof. Do not install or use near gases or flammable materials. Fire or explosion could result.
- Ⓛ3. Do not dismantle or alter the unit. Fire or electric shock could result.
- ⊘4. Do not allow the wires or DC output terminals to be shorted. Fire or electric shock could result.
- ⊘5. The unit must be installed and wired by a qualified technician.

CAUTION

(Negligence could result in injury to people or damage to property)

- Ⓛ1. When mounting the unit on a wall, install the unit in a convenient location, but not where it could be jarred or bumped. Injury could result.
- Ⓛ2. Do not install or make any wire terminations while power supply is plugged in. It can cause electrical shock or damage to the unit.

- Ⓛ3. Before turning on power, make sure wires are not crossed or shorted. Fire or electric shock could result.
- ⊘4. Do not install the unit in any of the following locations. Fire, electric shock, or unit trouble could result.
 - * Places subject to dust, oil, chemicals, hydrogen sulfide (hot spring).
 - * Places subject to moisture and humidity extremes, such as bathroom, cellar, greenhouse, etc.
 - * Places where the temperature is quite low, such as inside a refrigerated area or in front of air-conditioner.
 - * Places subject to steam or smoke (near heating or cooking surfaces).
 - * Where noise generating devices such as dimmer switches, inverter electrical appliances, are closeby.

GENERAL PRECAUTIONS



1. This product, being a control unit of door release, should not be used as a crime-prevention device.
2. This product is weather-resistant, but do not spray high-pressure water on it. Unit trouble could result.
3. The product becomes inoperative during power failure.
4. As to other manufacturer's devices, such as sensor, door releases, timer, used with this system, comply with the Specifications and Warranty conditions manufacturers or vendors present.
5. Keep the intercom wires more than 30 cm (12 inches) away from AC 100-240 V lines, particularly AC lines for inverter electrical appliances. Noise and malfunction could result.

CONTENTS

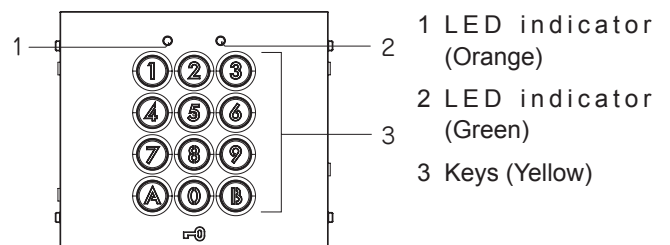
RECORD OF SETTINGS AND REGISTRATION DETAILS	... 2
PRECAUTIONS 3
PACKAGE CONTENTS 3
NAMES 3
MOUNTING 4
MOUNTING/WIRING METHOD, WIRING DISTANCE 4

FUNCTIONS • SETTING UP 6
OPERATIONS 10
TECHNICAL PRECAUTIONS 10
SPECIFICATIONS 10
WARRANTY 10

PACKAGE CONTENTS

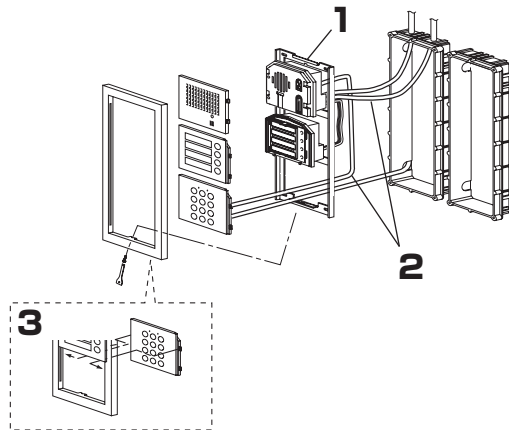
Unit	Installation & operation manual
	

NAMES



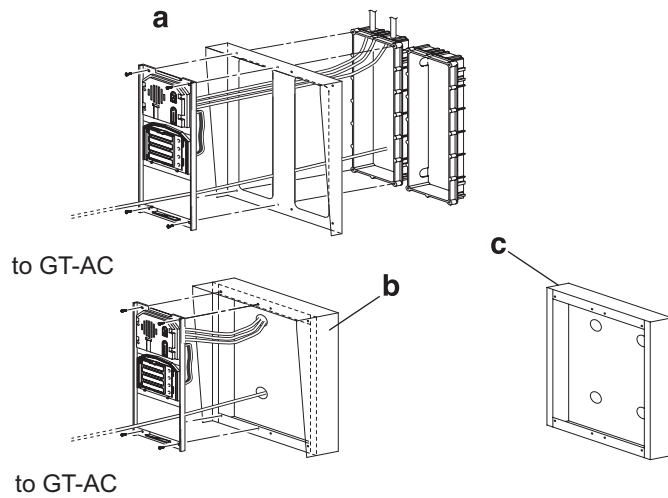
MOUNTING

The illustrations below use the GH system.



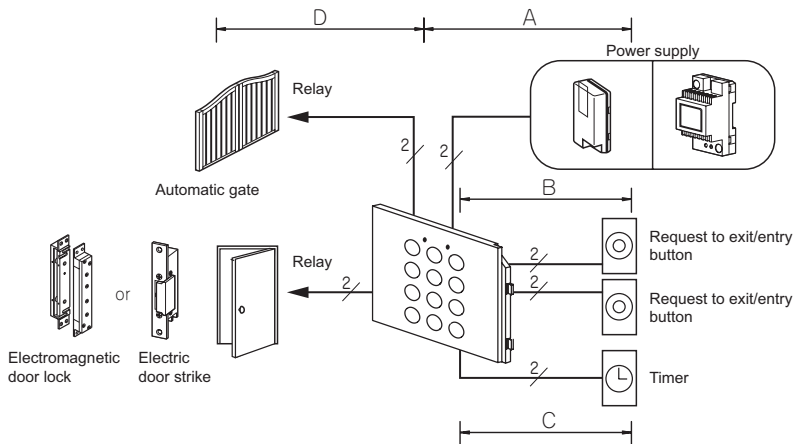
1. Fix the mounting bracket to the back (or surface-mount) box.
2. Connect the wires to the unit.
3. Mount GT-AC to the front frame.
 - Mount GT-AC from behind the front frame.
 - Insert the notch into the slots on both sides.

4



4. Options
 - a. Rain hood
 - b. Hooded surface-mount box
 - c. Surface-mount box
- *For details on mounting panels and modules other than the GT-AC, refer to the GF, GH or GT Installation and Operation Manual.

MOUNTING/WIRING METHOD, WIRING DISTANCE

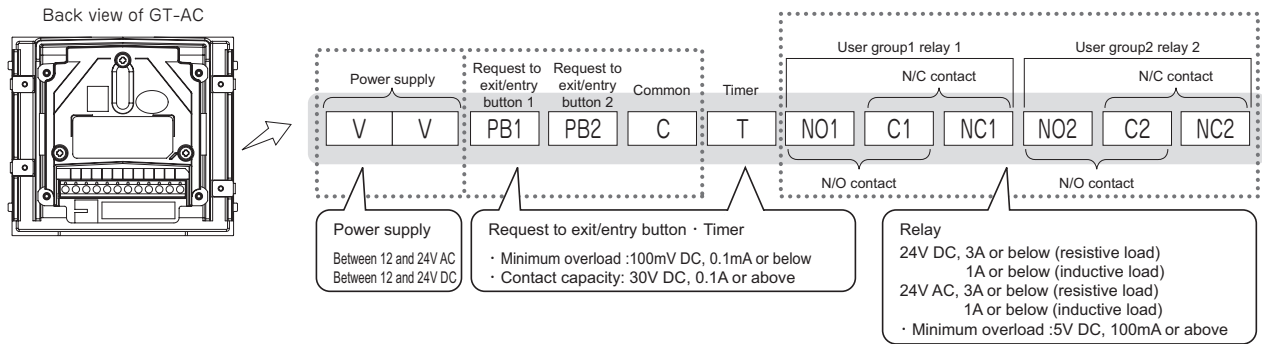


(Wiring distance)

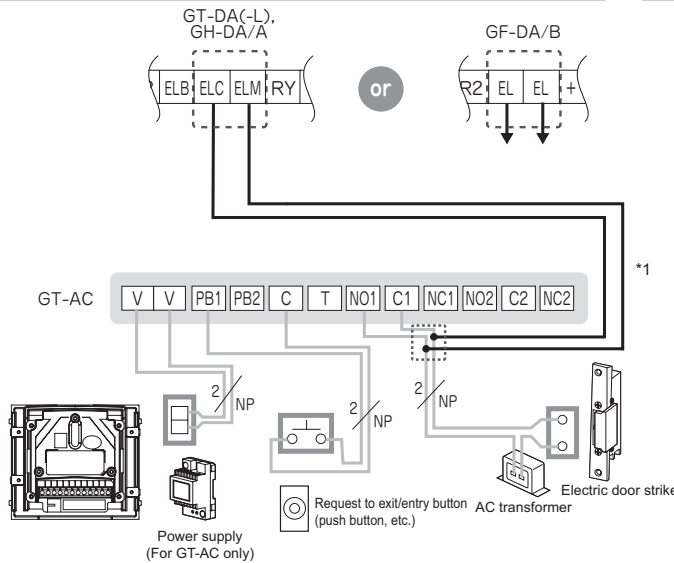
	Power supply	diameter 0.65 - 1.0 mm (22-18AWG)
A	AC/DC12 ~ 18V (Less than)	100m (330')
	AC/DC18 ~ 24V	300m (980')
B	-	300m (980')
C	-	300m (980')
D	The connection distance will depend on the specifications of the electric door strike, relays or Electromagnetic door lock to be connected. To determine the operating range, please refer to the specifications of each terminal.	

- (*1) Use a separate power supply for the GT-AC, not the ones used to power the system.
 (*2) Two relays can be activated from GT-AC. However, only one relay can be activated from a residential station.

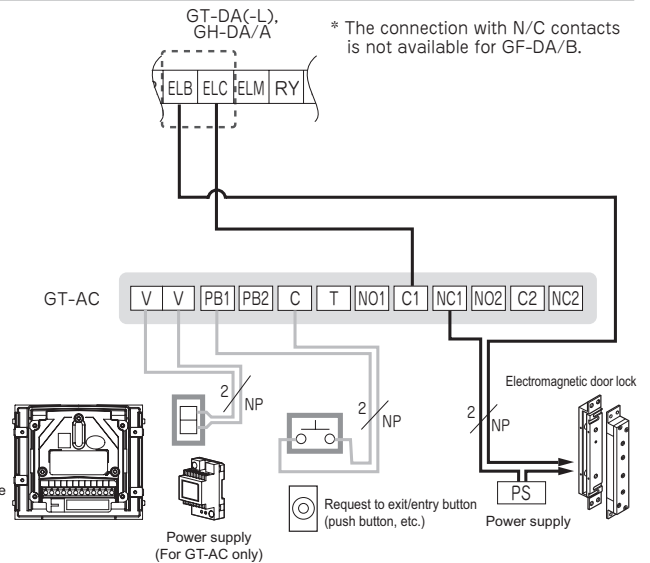
Terminal names



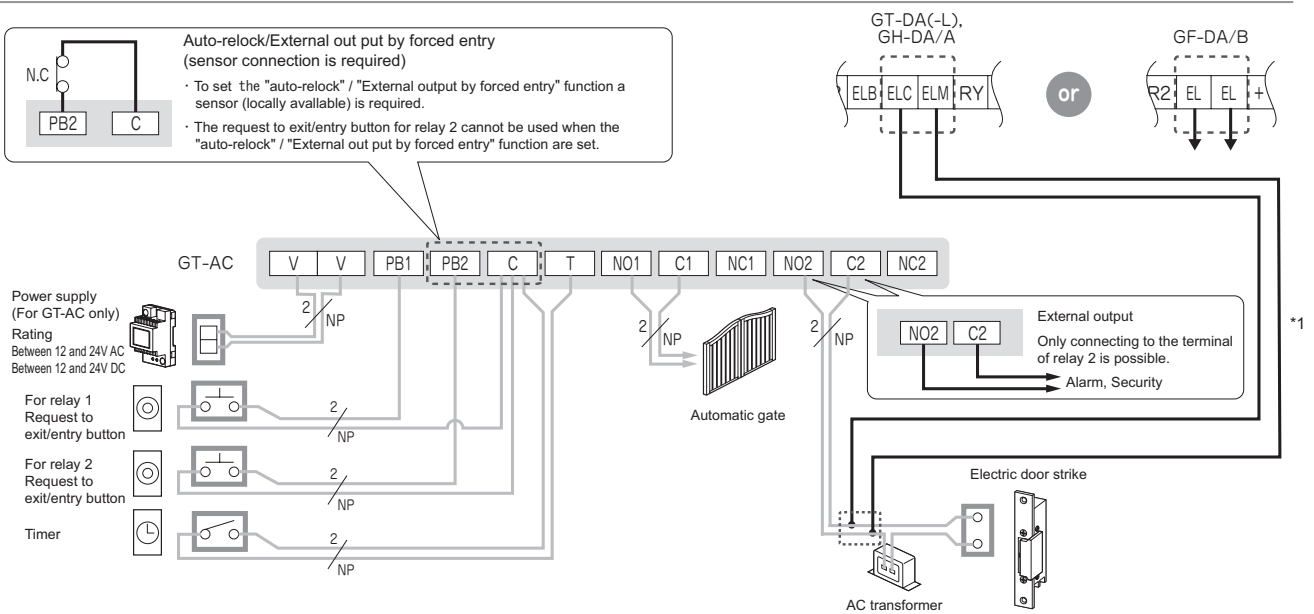
Connection of Relay 1 (N/O contact) only



Connection of Relay 1 (N/C contact) only



Relay 1: Automatic gate (N/O contact), Relay 2: Electric door strike (N/O contact)



(*1) The relay operating time of GT-DA(-L), GH-DA/A, GF-DA/B is different from that of GT-AC.

FUNCTIONS·SETTING UP

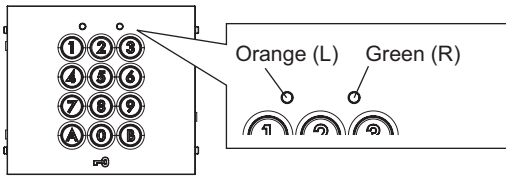
This section explains the settings of each function, including the master code for management, the user code for unlocking, the buzzer and the LEDs.

About the setting mode:

Enter master code twice to switch to the setting mode, and enter the following setting code to perform the settings for the desired function. After settings have been made, enter the following setting codes to continue the setting operation. Press (B) to exit the setting mode.

Setting items	Allowable setting range	Default value	Setting code
I Setting the code length Change the length of the master code and the user code. ※) They both must be the same length.	4, 5, or 6 digits	4 digits	(A) (3)
II Setting the master code Enter a master code using between 4 and 6 digits (alpha or numeric) to switch to the setting mode. ※) The number of digits in the code can be set by setting the code length.	1 Valid keys: 0 - 9, A, B	1234	(A) (4)
III Setting the code for user group 1 Set the unlocking code for user group 1. ※) The number of digits in the code can be set by setting the code length.	Number of codes: 60 Valid keys: 0 - 9, A, B	-	(0) (0) - (5) (9)
Setting the code for user group 2 Set the unlocking code for user group 2. ※) The number of digits in the code can be set by setting the code length.	Number of codes: 40 Valid keys: 0 - 9, A, B	-	(6) (0) - (9) (9)
IV Setting the key illumination time Set the length of time that the keys will be lit up after they are pressed.	Illumination time: 10 to 99 seconds, or continually lit	10 Sec.	(A) (0)
V Setting the relay 1 output time Set the output time of relay 1.	Output time: 1 to 99 seconds, or latched	3 Sec.	(A) (1)
III Setting the relay 2 output time Set the output time of relay 2.	Output time: 1 to 99 seconds, or latched	3 Sec.	(A) (2)
VI Reset Settings Return all the settings to their default values.	-	-	(A) (5)
VII External output setting The alarm or security system connected to the terminal of relay 2 will be activated when the "Lockout" * or the forced entry* is carried out. * "Lockout": Refer to VIII below. *Forced entry: This function is linked with the door open/close sensor (N.C.) which is connected to PB2 and C, and carried out when opening the door without activating this unit. (For example, entry in an improper manner, manual unlock, etc.) ※) If there is a way to open the door without activating this unit, such as manual unlock, do not make the external output setting for the forced entry.	· OFF · During Lockout · During forced entry output · During lockout and forced entry output	OFF	(A) (6)
VIII Lockout If several incorrect access codes are attempted, the code input function is disabled for a programmed period of time. · When "Lockout" is activated, the LED (Orange) indicator and the keypad blink, and the buzzer sounds for 3 seconds. This is just a sound to inform you that the function has been activated. It is not a warning sound. If you want a warning to be sounded, please use the external output function to activate a commercially-available alarm device. · The unlock function will work when the request to exit/entry button is pushed, even while the "Lockout" function is operating.	ON/OFF Invalid number of times: 10 to 99 times Invalid time: 10 to 99 seconds	OFF	(A) (7)
IX Auto-relock (Anti-tailgate) After the door has been linked to the door open/close sensor (N/C), and unlocked, it will relock itself one second after being closed, thus preventing the entry of an unauthorized third party. ※) 1	ON/OFF	OFF	(A) (8)
X Timer-linked unlocking setting The system can be set to unlock the door by pressing the (0) key within the set time and linking it to the external timer (N/O). The operations for the LEDs and the buzzer after unlocking are the same as those used to perform user code unlocking. When the door is linked to the timer, unlocking can be performed using the user code and the request to exit/entry button. When latch output is performed for the relay settings, the relay turns ON/OFF every time the (0) key is pressed.	Linked relay: relay 1 relay 2 relay 1 and 2 0 key illumination: ON/OFF	Linked relay: relay 1 0 key illumination: OFF	(A) (9)
XI Operation tone settings Set the tone heard when the keypad is being used to ON/OFF.	ON/OFF	ON	(A) (A)

- The setting can be saved even when the power is off.
 - The system cannot be switched to the setting mode while the relay is unlocked.
 - When the setting mode has been activated and no operations are performed for approximately 120 seconds, the system will exit the setting mode. (If a key is pressed during that time, the timer will start over.)
 - Neither the request to exit/entry button nor the timer-linked unlocking (0) key can be operated, and unlocking using the user code cannot be performed while the setting mode is activated.
 - The volume (the check tone, operation tone, etc.) from the main unit may become lower according to the mounting status.
- 6 ※ 1 : When the auto-relock is used, the request to exit/entry button for relay 2 cannot be used. The output of relay 2 is only possible when user code unlocking is performed.



The result of each operation is indicated by the lighting up of the LED indicators on the upper section of the unit, and by the sounding of the buzzer.

Input the master code twice.
(Default: 1 2 3 4 1 2 3 4)

(orange) Illumination (green) Blinking
Bleep, Bleep

I Setting the code length (Default: 4 digits) | II Setting the master code (Default : 1234) | III Setting the code group 1 | group 2

Input the setting code.
A 3

Illumination Blinking
Bleep

Input the setting code.
A 4

Illumination Blinking
Bleep

00 - 59
Inputting of user number (ex.: 01)
0 1

Illumination Blinking
Bleep

When a user code that has already been set is selected
Blinks twice
Bleep, Bleep

60 - 99
Inputting of user number (ex.: 60)
6 0

Illumination Blinking
Bleep

When a user code that has already been set is selected
Blinks twice
Bleep, Bleep

Inputting of code length (ex.: 5 digits)
4, 5, or 6 digits
5

Illumination Blinking
Bleep

Inputting of new master code (ex.: 4321)
4 3 2 1

Illumination Blinking
Bleep

Inputting of code (ex.: 1006)
* Numbers 0 - 9 and the letters A and B can be used
1 0 0 6

Illumination Blinking
Bleep

Inputting of code (ex.: 04B2)
* Numbers 0 - 9 and the letters A and B can be used
0 4 B 2

Illumination Blinking
Bleep

- When the **B** key is pressed, the green LED lights up, the buzzer beeps twice, and the system exits the setting mode.
(If the **B** key is included in the user code and the master code, the system does not exit the setting mode.)

- You can continue the setting up operation by entering an arbitrary setting code.

Indicator goes out Blinking
Bleep, Bleep

- The set code will be saved in memory, even if the code length is changed. However, codes of different lengths cannot be used.
- When the code length has been changed, the master code returns to the default value (if the number of digits in the code is 4, 5, or 6, the master code is 1234, 12345, or 123456 respectively).
- Please note that the shift to the setting mode can be performed during timer-linked unlocking. However, if "0" is included in the master code, the door will be unlocked, and the shift to the setting mode will not be able to be performed.
- The same code cannot be set for both the user code and the master code (the previously set code has priority).
- Do not set simple codes, such as 1111.
- We recommend that you change the default master code.
- To make the set user code invalid, press 0000 (when 4 digits are used), 00000 (when 5 digits are used), or 000000 (when 6 digits are used). Code numbers which contain only "0" cannot be set as user codes.
- As the factory pre-setting master code is 1234, 1234 (when 4 digits are used), 12345 (when 5 digits are used), and 123456 (when 6 digits are used) cannot be set as user codes.
- Do not set simple codes, such as 1111.
- *** The same code cannot be set for both the user code and the master code. The previously set code has priority.**

Input the master code twice.
(Default : ① ② ③ ④ ① ② ③ ④)

IV Setting the key illumination time (Default: 10 Sec.) | V Setting the relay output time (Default: 3 Sec.) | VI Reset Settings | VII External output setting (Default: OFF)

Input the setting code. (A 0) | Input the setting code. (A 1) | Input the setting code. (A 2) | Input the setting code. (A 5) | Input the setting code. (A 6)

Inputting of illumination time (ex.: 20 seconds) ② ① | Inputting of relay output time (ex.: 99 seconds) ⑨ ⑨ | ① ② ③ | ① ② ③ ①

Indicator is lit up at all times: 00 | Latched (※) : 00 | Illumination Blinks three times | During Lockout, During forced entry/output, During lockout and forced entry/output, OFF

- When the (B) key is pressed, the green LED lights up, the buzzer beeps twice, and the system exits the setting mode. (If the (B) key is included in the user code and the master code, the system does not exit the setting mode.)

- You can continue the setting up operation by entering an arbitrary setting code.

- (※) If the latched status has been set and the door is unlocked, it will not be locked again until the user code is entered (or the request to exit/entry button is pressed, or the (0) key is pressed while timer-linked unlocking is set).
- When the door is unlocked during relay outputting (including when latched), the system cannot be switched to the setting mode.
- If the power is turned off and the (1), (2), and (3) keys are pressed simultaneously while the unlock 1 input status is active (short circuit between terminals PB1 and C), the settings can be returned to their default values by turning the power back on and pressing the (1), (2), and (3) keys simultaneously for 3 seconds.
- When setting the external output, do not set the relay 2 output to be latched.

Input the master code twice.
 (Default : 1 2 3 4 1 2 3 4)

(orange) Illumination (green) Blinking
 Bleep, Bleep

VIII Lockout (Default: OFF)	IX Auto-relock (Anti-tailgate) (Default: OFF)	X Timer-linked unlocking setting (Default: relay 1, OFF)	XI Operation sound settings (Default: ON)
--------------------------------	---	---	--

Input the setting code. A 7	Input the setting code. A 8	Input the setting code. A 9	Input the setting code. A A
Illumination Blinking Bleep	Illumination Blinking Bleep	Illumination Blinking Bleep	Illumination Blinking Bleep

OFF ON	OFF ON	Relays 1 and 2 are both linked Only relay 1 is linked Only relay 2 is linked	Operation tone OFF Operation tone ON
0 1	0 1	0 1 2	0 1
Illumination Blinking Bleep	Illumination Blinking Bleep	Illumination Blinking Bleep	Illumination Blinking Bleep

Inputting the number of operations
 (ex. : 10 times)
 10 -99
 1 0

Illumination Blinking
 Bleep

Inputting length of time in "Lockout" mode
 (Ex.: 10 seconds)
 10 - 99
 1 0

Illumination Blinking
 Bleep

0 key illumination OFF while timer is on
 0 key illumination ON while timer is on

0 1

Illumination Blinking
 Bleep

- When the **(B)** key is pressed, the green LED lights up, the buzzer beeps twice, and the system exits the setting mode.
 (If the **(B)** key is included in the user code and the master code, the system does not exit the setting mode.)

- You can continue the setting up operation by entering an arbitrary setting code.

Indicator goes out Blinking
 Bleep, Bleep

- When the relay 1 output time is set to latched output, the auto-relock function is disabled.
- When the auto-relock function is turned on, the unlock function of the request to exit/entry button of relay 2 is disabled.
- If the 0 key illumination function is turned on while the timer is on, only the 0 key illumination will light up, even if the "key illumination time setting" is set to "Indicator is continually lit".

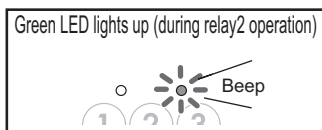
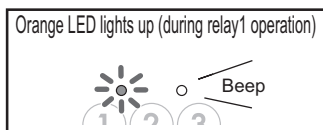
OPERATIONS

A. Unlocking of user code

When the registered user code has been input using the keypad (between 4 and 6 digits), the LED indicator (group 1: orange, group 2: green) lights up, the buzzer sounds, and the electric door strike is unlocked.

ex.): group 1
1006

group 2
04B2



- The time interval during which the button must be pressed is approximately 10 seconds. If the time interval exceeds approximately 10 seconds, the input value will be cleared.
- If you make a mistake when inputting the user code, input the user code again.
- When the "Lockout" function has been set, the release function is locked and the input operation is disabled for the specified time (10 ~ 99 seconds) if invalid codes are input a set number of times (10 ~ 99 times). (Reference: "Lockout".) During this time, the key illumination will blink 4 times, the LED (orange) indicator will blink for the set deactivation time, and the buzzer will sound for approximately 3 seconds.

B. Timer-linked unlocking

When the timer-linked unlocking function is active, the door can be unlocked by pressing the **⓪** key during the set time, while the timer is linked.

The **⓪** key illumination lights up when the timer is activated by performing the setting.

C. Unlocking using the request to exit/entry button

When leaving the premises, you can activate the electric door strike by pressing the request to exit/entry button connected to the unit. Pressing request to exit/entry button 1 releases relay 1, and pressing request to exit/entry button 2 releases relay 2.

- When the door is unlocked using the request to exit/entry button, the LED will not light up and the buzzer will not sound.

TECHNICAL PRECAUTIONS

- Operating temperature: Between -10°C and 60°C (14°F to 140°F)
- Cleaning: Clean the unit with a soft cloth dampened with a neutral household cleanser. Do not use any abrasive cleanser or cloths.
- The unit is weather resistant. However do not spray high pressure water on access control keypad directly. Excessive moisture may cause problems with the unit.
- Press and release the **⑦**, **⓪**, **⑧**, and **ⓑ** keys simultaneously when this unit does not work.

※)The LEDs (orange and green) will blink and the buzzer will sound, and then resetting will take place. (The settings do not return to their default values.)

- If resetting does not work, contact the service technician who installed the unit.

SPECIFICATIONS

- Power supply: 12 ~ 24V AC
12 ~ 24V DC
- Power consumption: DC: Max. 70mA
AC: Max. 100mA
- Dimensions: 95.2(H) × 110(W) × 29.3(D)mm
H 3-2/3" x W 4-5/16" x D 1-1/8"
- Weight: approx. 330g (0.72lbs)
- Number of relay circuits: 2
- Relay contact: N/O, N/C
- Relay contact capacity: 24V DC, 3A (resistive load)
1A (inductive load)
24V AC, 3A (resistive load)
1A (inductive load)

WARRANTY

Aiphone warrants its products to be free from defects of material and workmanship under normal use and service for a period of one year after delivery to the ultimate user and will repair free of charge or replace at no charge, should it become defective upon which examination shall disclose to be defective and under warranty. Aiphone reserves unto itself the sole right to make the final decision whether there is a defect in materials and/or workmanship; and whether or not the product is within the warranty. This warranty shall not apply to any Aiphone product which has been subject to misuse, neglect, accident, or to use in violation of instructions furnished, nor extended to units which have been repaired or altered outside of the factory. This warranty does not cover batteries or damage caused by batteries used in connection with the unit. This warranty covers bench repairs only, and any repairs must be made at the shop or place designated in writing by Aiphone. Aiphone will not be responsible for any costs incurred involving on site service calls. Aiphone will not provide compensation for any loss or damage incurred by the breakdown or malfunction of its products during use, or for any consequent inconvenience or losses that may result.

FCC

This device complies with Part 15 of the FCC Rules.

Operation is subject to the following two conditions:

- (1) this device may not cause harmful interference, and
- (2) this device must accept any interference received, including interference that may cause undesired operation.

PRECAUTIONS

- ⊗ Mesures générales d'interdiction ⊗ Interdiction de démonter l'appareil
- Ⓛ Précautions générales

⚠ AVERTISSEMENT

(Le non-respect de cet avertissement risque d'entraîner des blessures graves, voire mortelles)

- Ⓛ1. Ne pas brancher de source d'alimentation non spécifiée aux bornes + et -, et ne pas brancher deux sources d'alimentation en parallèle sur une entrée unique. Vous risqueriez de provoquer un incendie, un dysfonctionnement du système, ou d'endommager l'unité.
- Ⓛ2. L'appareil ne résiste pas aux explosions. N'installez et n'utilisez jamais ce produit à proximité de gaz ou de matériaux inflammables. Un incendie ou une explosion peut survenir.
- Ⓛ3. Ne pas démonter ni modifier l'unité. Vous risqueriez de provoquer un incendie ou une décharge électrique.
- Ⓛ4. L'unité doit être installée et câblée par un technicien qualifié.

⚠ ATTENTION

(Le non-respect de cet avertissement risque d'entraîner des blessures ou des dégâts matériels)

- Ⓛ1. Pour fixer l'unité au mur, choisir un endroit adapté où elle ne risque pas de subir des secousses ou des chocs. Sinon, vous risquez de provoquer des blessures.
- Ⓛ2. Ne réaliser aucune connexion douille terminale de fil lorsque l'appareil est branché, sous peine de provoquer une décharge électrique ou d'endommager l'unité.
- Ⓛ3. Avant de brancher le bloc d'alimentation, vérifier que les fils ne sont pas croisés ou en court-circuit. Vous risqueriez de provoquer un incendie ou une décharge électrique.

- Ⓛ4. Ne pas installer l'appareil à aucun des emplacements suivants pour éviter tout risque d'incendie, de décharge électrique ou d'endommagement de l'appareil.
 - * Endroits exposés à la poussière, à la graisse et aux produits chimiques.
 - * Endroits où le degré d'humidité est élevé, tels qu'une salle de bains, une cave, une serre, etc.
 - * Endroits où la température est très basse, tels qu'une zone réfrigérée ou face à un climatiseur.
 - * Endroits exposés à la vapeur ou à la fumée (à proximité de plaques chauffantes ou de cuisson).
 - * Lorsque des appareils occasionnant des parasites se trouvent à proximité (interrupteur crépusculaire, onduleur, appareils électriques).

PRECAUTIONS GENERALES

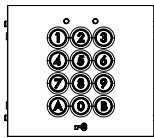

1. Ce produit étant une unité de contrôle de gâche électrique, il ne doit pas être utilisé en tant que dispositif anti-criminalité.
2. Le poste de porte est étanche. Cependant, ne pas vaporiser de l'eau à haute pression directement sur celui-ci. Cela risquerait en effet de provoquer une panne de l'appareil.
3. L'unité sera hors-service pendant une coupure de courant.
4. En ce qui concerne les dispositifs d'autres fabricants (tels que les capteurs, les détecteurs, les gâches de porte) utilisés avec ce système, conformez-vous aux Spécifications et aux Conditions de garantie des fabricants ou des distributeurs.
5. Ne pas placer les câbles de l'interphone à une distance de moins de 30 cm des lignes AC 100~240V, en particulier lignes électriques pour onduleur, appareils électriques.

TABLE DES MATIERES

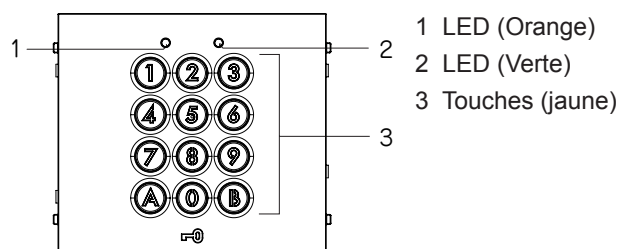
AIDE MEMOIRE DES PROGRAMMATIONS ENREGISTREES ...	2
PRECAUTIONS	11
CONTENU DE L'EMBALLAGE	11
DESCRIPTIONS	11
PROCEDURE DE MONTAGE	12
CÂBLAGE, DISTANCE DE CÂBLAGE.....	12

FONCTIONS-PROGRAMMATION	14
UTILISATION	18
PRECAUTIONS TECHNIQUES	18
CARACTERISTIQUES TECHNIQUES.....	18
GARANTIE	18

CONTENU DE L'EMBALLAGE

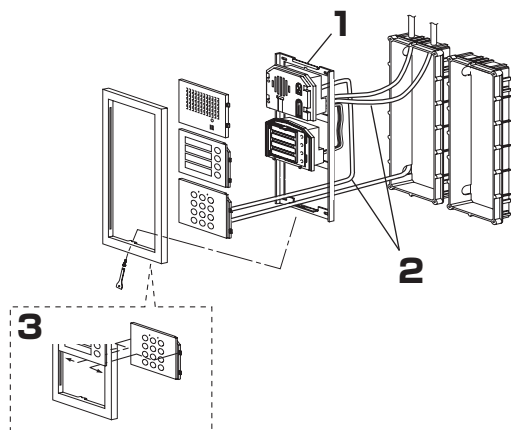
Appareil	Notice d'installation et d'utilisation
	

DESCRIPTIONS



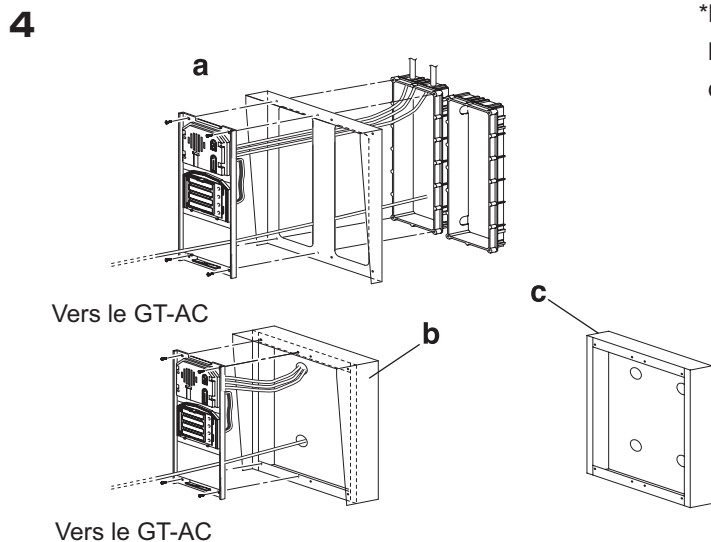
PROCEDURE DE MONTAGE

Les illustrations ci-dessous indiquent le système GH.

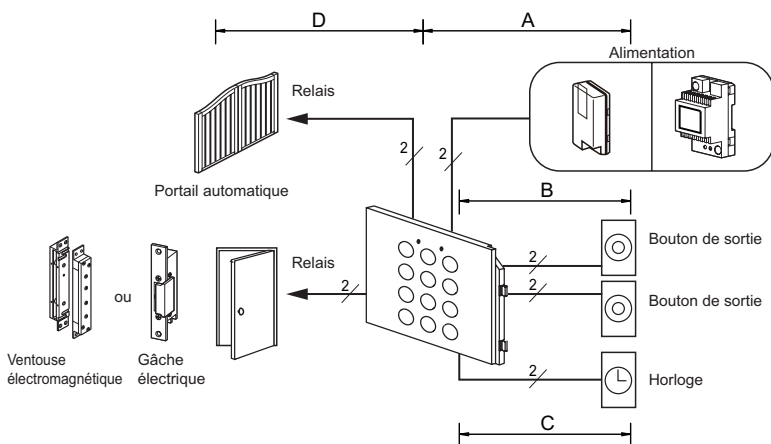


1. Fixer le support de montage au boîtier d'encastrement (ou boîtier saillie).
2. Connectez les fils à l'appareil.
3. Installez le GT-AC sur les encadrements.
 - Installez la façade du GT-AC par l'arrière des encadrements.
 - Insérez les encoches des façades dans les fentes des deux côtés de l'encadrement.
4. Options
 - a. Visière anti-pluie
 - b. Boîtier saillie avec visière
 - c. Boîtier saillie

*Pour plus de détails de montage sur les façades et les modules autres que le GT-AC, consultez la notice d'installation et d'utilisation du GF, GH ou GT.



CÂBLAGE, DISTANCE DE CÂBLAGE



(Distance de câblage)

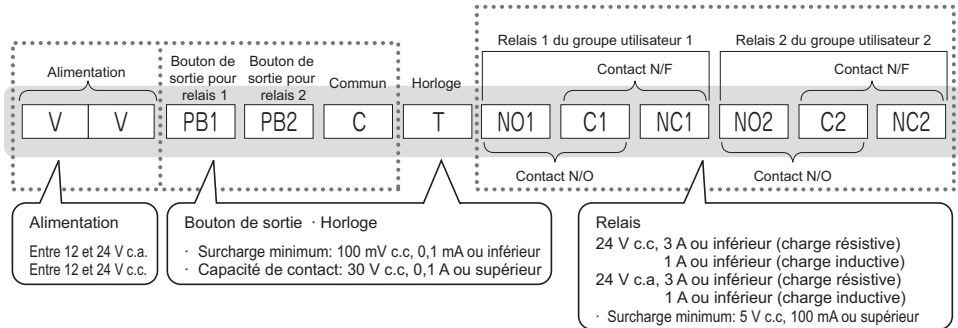
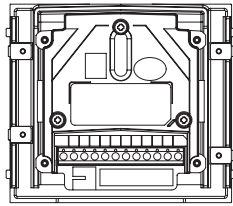
	Alimentation	diamètre 6/10-8/10ème LYT
A	c.a./c.c. 12 ~ 18V (moins de)	100m
	c.a./c.c. 18 ~ 24V	300m
B	-	300m
C	-	300m
D	La distance de connexion dépendra des caractéristiques de la gâche électrique, des relais ou de la ventouse électromagnétique à connecter. Pour déterminer les limites de fonctionnement, veuillez vous référer aux caractéristiques de chaque borne.	

(*1) Utilisez une source d'alimentation différente pour le GT-AC, pas celles utilisées pour le système.

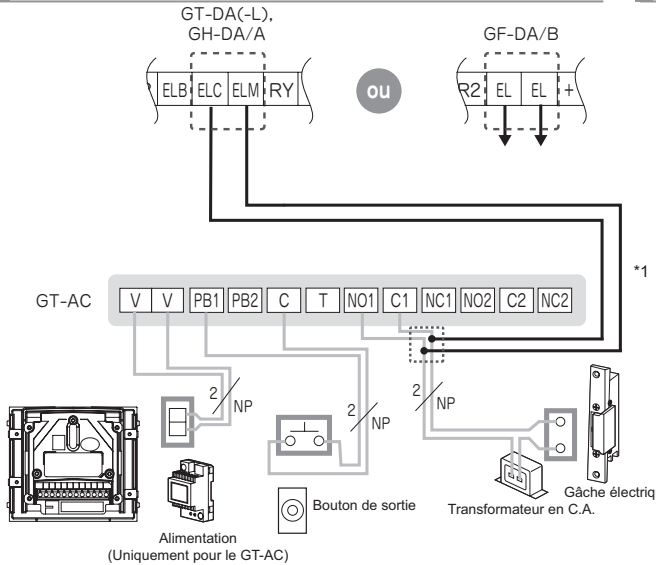
(*2) Deux relais peuvent être activés à partir du GT-AC. Cependant, seul un relais peut être activé à partir d'un poste résidentiel.

Borniers de sortie

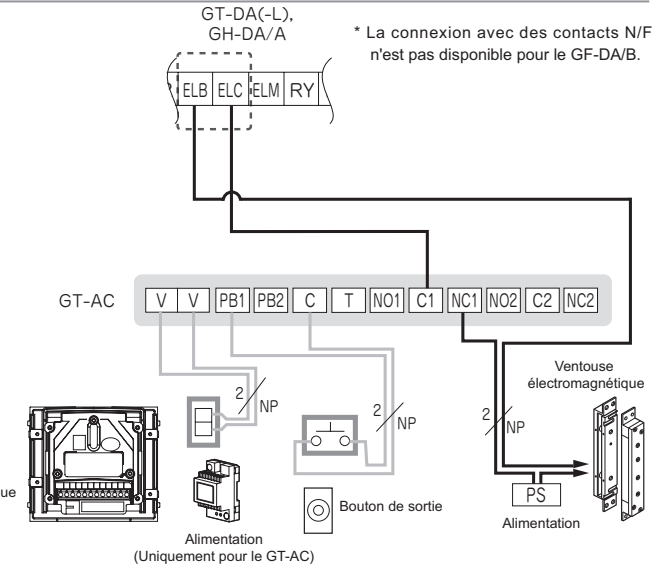
Vue arrière du GT-AC



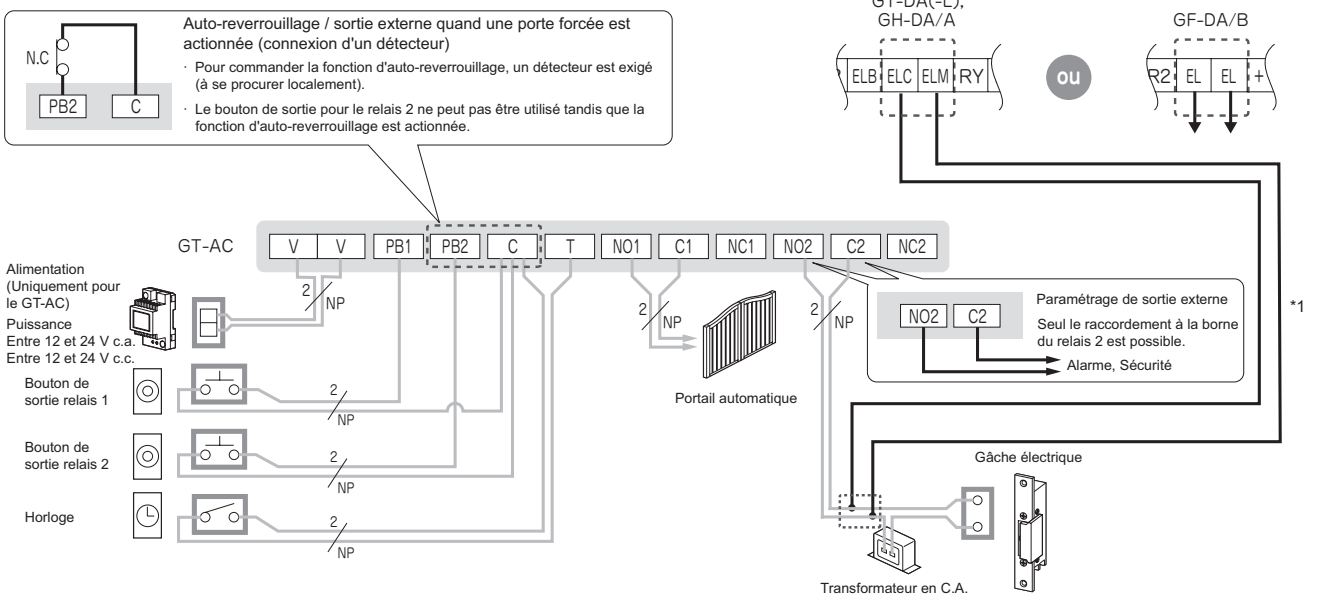
Connexion du relais 1 (contact N/O) uniquement



Connexion du relais 1 (contact N/F) uniquement



Relais 1: Portail automatique (contact N/O), Relais 2: Gâche électrique (contact N/O)



(*1) La temporisation de relais du GT-DA(-L), GH-DA/A, GF-DA/B est différente de celle du GT-AC.

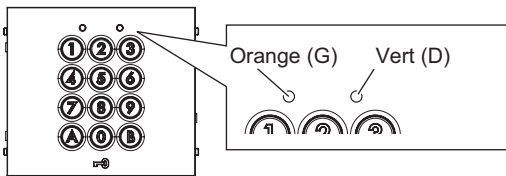
FONCTIONS PROGRAMMATION

Cette section explique les paramétrages de chaque fonction, y compris le code maître, le code d'utilisateur, les bips et les Leds. Au sujet du mode de paramétrage:

Saisir deux fois le code maître pour rentrer en mode programmation, puis saisir le code de paramétrage pour exécuter la fonction désirée. Après paramétrages de celle-ci, saisir un nouveau code de paramétrage pour continuer la programmation. Appuyer sur (B) pour quitter le mode de programmation.

Rubriques de paramétrage	Limites de paramétrage admissibles	Valeur par défaut	Code de paramétrage
I Programmation du nombre de termes Modifier le nombre du code maître et du code d'utilisateur. ※) Le code maître et le code d'utilisateur doivent avoir le même nombre de termes.	4, 5 ou 6 chiffres	4 chiffres	(A) (3)
II Programmation du code maître Saisir un code maître en utilisant 4 ou 5 ou 6 chiffres (alpha ou numérique) pour rentrer en mode programmation. ※) Le nombre de chiffres dans le code peut être paramétré en choisissant le nombre de termes.	1 Touches utilisables: 0 - 9, A, B	1234	(A) (4)
III Programmation du code pour le groupe d'utilisateur 1 Programmer le code d'ouverture pour le groupe d'utilisateur 1. ※) Le nombre de chiffres dans le code peut être paramétré.	Nombre de codes: 60 Touches utilisables: 0 - 9, A, B	-	(0) (0) - (5) (9)
Programmation du code pour le groupe d'utilisateur 2 Programmer le code d'ouverture pour le groupe d'utilisateur 2. ※) Le nombre de chiffres dans le code peut être paramétré.	Nombre de codes: 40 Touches utilisables: 0 - 9, A, B	-	(6) (0) - (9) (9)
IV Programmation de la durée d'éclairage des touches Paramétrer la durée pendant laquelle les touches seront allumées après une impulsion.	Durée d'éclairage: 10 à 99 secondes, ou allumage permanent	10 sec.	(A) (0)
V Programmation de la temporisation du relais 1 Paramétrer la temporisation du relais 1.	Temporisation: 1 à 99 secondes, ou bistable	3 sec.	(A) (1)
III Programmation de la temporisation du relais 2 Paramétrer la temporisation du relais 2.	Temporisation: 1 à 99 secondes, ou bistable	3 sec.	(A) (2)
VI Remise à zéro des programmations Ramène tous les paramétrages sur leurs valeurs par défaut.	-	-	(A) (5)
VII Paramétrage de sortie externe Le système d'alarme ou de sécurité connecté au câblage du relais 2 sera activé quand le blocage * ou la porte forcée * est effectuée. * Blocage : Se référer à VIII ci-dessous. * Porte forcée: Cette fonction est programmée le détecteur d'ouverture/fermeture de porte (N/F) qui est connecté à PB2 et à C, et est exécutée en ouvrant la porte sans mise en fonction du clavier. (Par exemple, la porte d'une manière incorrecte, un déverrouillage manuel, etc.) *) S'il y a existé une façon d'ouvrir la porte sans mettre le clavier en fonction, comme dans le cas d'un déverrouillage manuel, ne pas effectuer de paramétrage de sortie externe pour une porte forcée.	· OFF · Blocage avec sortie externe · Porte forcée avec sortie externe · Blocage et porte forcée avec sortie externe	OFF	(A) (6)
VIII Blocage Si plusieurs codes d'accès incorrects ont été saisi, la saisie de code est invalidée pendant une durée préprogrammée. · Lorsque "Blocage" est activé, la LED (orange) et le clavier codé clignotent tandis que la sonnerie retentit pendant 3 secondes. Ceci est juste un son pour vous avertir que la fonction a été activée. Il ne s'agit pas d'une sonorité d'avertissement. Si vous voulez qu'un avertissement retentisse, veuillez employer la fonction de sortie externe pour activer un dispositif d'alarme disponible dans le commerce. · L'ouverture de la porte fonctionnera quand le bouton de sortie/entrée est pressé, même pendant que la fonction "Blocage" fonctionne.	ON/OFF Nombre d'appui sur touche incorrect: 10 à 99 Durée de blocage: 10 à 99 secondes	OFF	(A) (7)
IX Auto-reverrouillage (anti-accès) Si un détecteur (N/F) est utilisé, il coupera la temporisation du relais 1, ceci empêchant l'entrée d'un tiers non autorisé. ※)1	ON/OFF	OFF	(A) (8)
X Programmation du déverrouillage lié à l'horloge Le système peut être réglé pour activer la porte en appuyant sur la touche (0), si le contact horloge est fermé. Les opérations pour les diodes électroluminescentes et l'avertisseur sonore après l'ouverture sont identiques à celles utilisées pour exécuter l'ouverture par le code d'utilisateur. Quand le clavier est lié à l'horloge, l'ouverture peut être exécuté en utilisant le code d'utilisateur et le bouton de sortie. Quand la sortie de verrouillage est exécutée pour les paramétrages de relais, le relais actionne sur "marche/arrêt" à chaque fois que la touche (0) est pressée.	Relais programmé: Relais 1 Relais 2 Relais 1 et 2 Touche 0 éclairée: ON/OFF	Relais programmé: Relais 1 Touche 0 éclairée: OFF	(A) (9)
XI Programmation de tonalité de fonctionnement Paramétrage des bips d'utilisation ON/OFF.	ON/OFF	ON	(A) (A)

- La programmation peut être sauvegardé lors d'une coupure de courant.
 - Le système ne peut pas rentrer en programmation dès lors qu'un relais est activé.
 - Quand vous êtes en programmation et qu'aucune opération n'est exécutée pendant approximativement 120 secondes, le système annulera le mode de programmation. (Si une touche est pressée pendant ce temps, l'horloge recommencera un nouveau cycle.)
 - En mode programmation, ni le bouton de sortie ni la touche (0) liée à l'horloge ne peuvent être actionnés, ainsi que le code utilisateur.
 - Le volume (le son de test, le son de commande, etc.) à partir de l'appareil principal peut être plus faible selon le mode de montage.
- 14 ※ 1 : Le bouton de demande de sortie/d'entrée pour le relais 2 ne peut pas être utilisé quand la fonction d'auto-reverrouillage est utilisée. La sortie du relais 2 est seulement possible quand le déverrouillage du code d'utilisateur est exécuté.



Le résultat de chaque opération est indiqué par l'éclairage des Led's sur la partie supérieure de l'appareil, et par le retentissement de Bip sonore.

Saisir deux fois le code maître.
(Valeur par défaut: 1 2 3 4 1 2 3 4)

(orange) S'allume (vert) Clignote
Bip, bip

I Programmation du nombre de termes
(Valeur par défaut: 4 chiffres)

II Programmation du code maître
(Valeur par défaut: 1234)

III Programmation du code utilisateur
Groupe 1 Groupe 2

<p>Saisir le code de paramétrage.</p> <p>A 3</p> <p>S'allume Clignote Bip</p>	<p>Saisir le code de paramétrage.</p> <p>A 4</p> <p>S'allume Clignote Bip</p>	<p>00 - 59</p> <p>Saisie l'adresse d'utilisateur (ex.: 01)</p> <p>0 1</p> <p>Quand l'adresse utilisateur a déjà été programmé</p> <p>S'allume Clignote Bip</p> <p>S'allume Clignote deux fois Bip, bip</p>	<p>60 - 99</p> <p>Saisie l'adresse d'utilisateur (ex.: 60)</p> <p>6 0</p> <p>Quand l'adresse utilisateur a déjà été programmé</p> <p>S'allume Clignote Bip</p> <p>S'allume Clignote deux fois Bip, bip</p>
---	---	--	--

<p>Saisie le nombre de termes (ex: 5 chiffres) 4, 5 ou 6 chiffres</p> <p>5</p> <p>S'allume Clignote Bip</p>	<p>Saisir un nouveau code maître (ex: 4321)</p> <p>4 3 2 1</p> <p>S'allume Clignote Bip</p>	<p>Saisie du code (ex.: 1006) * Les nombre 0 - 9 et les lettres A et B peuvent être utilisés</p> <p>1 0 0 6</p> <p>S'allume Clignote Bip</p>	<p>Saisie du code (ex.: 04B2) * Les nombre 0 - 9 et les lettres A et B peuvent être utilisés</p> <p>0 4 B 2</p> <p>S'allume Clignote Bip</p>
---	---	--	--

- Quand la touche **B** est pressée, la led verte s'allume, deux Bip sonore retentisse, et le système quitte le mode de programmation.
(Si la touche **B** est comprise dans le code d'utilisateur et le code maître, le système ne quitte pas le mode programmation.)

- Vous pouvez continuer les opérations de programmation en saisissant un autre code de paramétrage.

Le témoin s'éteint Clignote
Bip, bip

- Le code programmé sera sauvegardé dans la mémoire, même si le nombre de termes est changé. Cependant, des codes de différents terme ne peuvent pas être utilisés.
- Quand le nombre de termes a été changé, le code maître revient sur sa valeur par défaut (si le nombre de chiffres dans le code est 4, 5 ou 6, le code maître sera 1234, 12345 ou 123456 respectivement).
- Veuillez noter que le passage en mode programmation peut être exécuté pendant le déverrouillage lié à l'horloge. Cependant, si "0" est compris dans le code maître, la porte sera libérée et le passage en mode programmation ne sera pas exécuté.
- Le même code ne peut pas être programmé comme code d'utilisateur et code maître. Le code programmé précédemment a la priorité.
- Ne pas paramétrer des codes simples, tels que 1111.
- Nous vous recommandons de changer le code maître de maître par défaut.
- Pour rendre invalide le code utilisateur paramétré, rentrer en programmation, taper son adresse puis appuyer sur 0000 (quand 4 chiffres sont utilisés), 00000 (quand 5 chiffres sont utilisés) ou 000000 (quand 6 chiffres sont utilisés). Les numéros de code qui ne contiennent que des "0" ne peuvent pas être paramétrés comme codes utilisateurs.
- Etant donné que le code maître préprogrammé en usine est 1234 (quand 4 chiffres sont utilisés), 12345 (quand 5 chiffres sont utilisés) ou 123456 (quand 6 chiffres sont utilisés) ceux-ci ne peuvent pas être utilisés comme codes d'utilisateur.
- Ne pas paramétrer des codes simples, tels que 1111.
- * **Le même code ne peut pas être programmé comme code d'utilisateur et code maître. Le code programmé précédemment a la priorité.**

Saisir deux fois le code maître.
(Valeur par défaut: 1 2 3 4 1 2 3 4)

IV Programmation de la durée d'éclairage des touches (Valeur par défaut: 10 sec.) **V** Programmation de temporisation des relais (Valeur par défaut: 3 sec.) **VI** Retour configuration usine **VII** Programmation de sortie externe (Valeur par défaut: Désactivé)

En programmant le relais 1 En programmant le relais 2

<p>Saisir le code de paramétrage.</p> <p>A 0</p> <p>S'allume Clignote</p> <p>Bip</p>	<p>Saisir le code de paramétrage.</p> <p>A 1</p> <p>S'allume Clignote</p> <p>Bip</p>	<p>Saisir le code de paramétrage.</p> <p>A 2</p> <p>S'allume Clignote</p> <p>Bip</p>	<p>Saisir le code de paramétrage.</p> <p>A 5</p> <p>S'allume Clignote</p> <p>Bip</p>	<p>Saisir le code de paramétrage.</p> <p>A 6</p> <p>S'allume Clignote</p> <p>Bip</p>
--	--	--	--	--

<p>Saisie de la durée d'éclairage (ex.: 20 secondes) 2 0</p> <p>Eclairage permanent: 00</p> <p>S'allume Clignote</p> <p>Biip</p>	<p>Saisie de la durée de temporisation du relais (ex: 99 secondes) 9 9</p> <p>Bistable (※) : 00</p> <p>S'allume Clignote</p> <p>Biip</p>	<p>1 2 3</p> <p>S'allume Clignote trois fois</p> <p>Bip, bip, biip</p>	<p>1 2 3 0</p> <p>S'allume Clignote</p> <p>Biip</p>
--	--	--	---

Blocage avec sortie/externe Porte forcée avec sortie externe Blocage et porte forcée avec sortie externe OFF

- Quand la touche **(B)** est pressée, la led verte s'allume, deux Bip sonore retentisse, et le système quitte le mode de programmation. (Si la touche **(B)** est comprise dans le code d'utilisateur et le code maître, le système ne quitte pas le mode programmation.)

- Vous pouvez continuer les opérations de programmation en saisissant un autre code de paramétrage.

- (※) Si le mode bistable a été programmé et que la porte est libérée, elle ne sera pas verrouillée tant que le code utilisateur ne sera pas saisi (ou que le bouton de sortie ne soit pressé ou que la touche **(0)** ne soit pressée pendant le déverrouillage liée à l'horloge).
- Quand un relais est enclenché, le système ne peut pas rentrer en mode programmation.
- Si l'alimentation est coupé et que les touches **(1)**, **(2)** et **(3)** sont pressées simultanément et que les bornes PB1 et C sont reliées, vous pouvez revenir en configuration usine en rétablissant l'alimentation et en appuyant simultanément sur les touches **(1)**, **(2)** et **(3)** pendant 3 secondes.
- Quand la sortie externe est paramétrée, la sortie du relais 2 ne peut pas être utilisée en mode bistable.

Saisir deux fois le code maître.
(Valeur par défaut: 1 2 3 4 1 2 3 4)

VIII Blocage (Valeur par défaut: OFF)	IX Auto-verrouillage (anti-accès) (Valeur par défaut: OFF)	X Programmation du déverrouillage lié à l'horloge (Valeur par défaut: Relais 1, désactivé)	XI Programmation des bips de fonctionnement (Valeur par défaut: ON)
---	--	--	---

Saisir le code de paramétrage. A 7 S'allume Clignote 	Saisir le code de paramétrage. A 8 S'allume Clignote 	Saisir le code de paramétrage. A 9 S'allume Clignote 	Saisir le code de paramétrage. A A S'allume Clignote
---	---	---	---

OFF ON 0 1 S'allume Clignote S'allume Clignote 	OFF ON 0 1 S'allume Clignote S'allume Clignote 	Les relais 1 et 2 seront activés Seul le relais 1 sera activé Seul le relais 2 sera activé 0 1 2 S'allume Clignote S'allume Clignote S'allume Clignote 	Bip de fonctionnement désactivé Bip de fonctionnement activé 0 1 S'allume Clignote S'allume Clignote
---	---	---	--

Saisie du nombre de touche (ex: 10 fois)
10 -99 **1 0**
S'allume Clignote

Saisie de la durée du mode "Blocage" (ex: 10 secondes)
10 - 99 **1 0**
S'allume Clignote

La touche 0 est éteinte pendant que l'horloge est activée La touche 0 est allumée pendant que l'horloge est activée
0 **1**
 S'allume Clignote

- Quand la touche **(B)** est pressée, la led verte s'allume, deux Bip sonore retentisse, et le système quitte le mode de programmation. (Si la touche **(B)** est comprise dans le code d'utilisateur et le code maître, le système ne quitte pas le mode programmation.)
 - Vous pouvez continuer les opérations de programmation en saisissant un autre code de paramétrage.

- Quand la temporisation du relais 1 est paramétrée en bistable, la fonction d'auto-verrouillage est invalidée.
- Quand la fonction d'auto-verrouillage est activée, le bouton de sortie du relais 2 est invalidé.
- Si la fonction d'éclairage de touche 0 est activée pendant que l'horloge est en fonction, seule la touche 0 s'allume même si "la programmation de durée d'éclairage de touche" est validé en continue.

UTILISATION

A. Déverrouillage par code d'utilisateur

Quand le code d'utilisateur enregistré a été saisi (entre 4 et 6 chiffres), la led (groupe 1: orange, groupe 2: vert) s'allume, et un bip sonore retentit et la gâche est libérée.

ex.) Groupe 1

1006

Groupe 2

04B2

La led orange s'allume (pendant le fonctionnement du relais 1)



La led verte s'allume (pendant le fonctionnement du relais 2)



- L'intervalle de temps pendant lequel la touche bouton doit être pressée est approximativement de 10 secondes. Si l'intervalle de temps dépasse approximativement 10 secondes, la valeur saisie sera effacée.
- Si vous faites une erreur en entrant votre code d'ouverture, resaisir celui-ci de nouveau.
- Quand la fonction "Blocage" a été paramétrée, la fonction de libération est verrouillée et l'opération de saisie est interdite pendant la durée indiquée (10 ~ 99 secondes) si des codes incorrects sont saisis un nombre de fois paramétré (10 ~ 99 fois). (Référence: "Fermeture".) Pendant ce temps, l'éclairage de la touche clignotera 4 fois, le témoin de la diode électroluminescente (orange) clignotera pendant la durée de désactivation paramétrée, et l'avertisseur sonore retentira pendant approximativement 3 secondes.

B. Déverrouillage lié à l'horloge

Quand la fonction de déverrouillage lié à l'horloge est activée, la porte peut être libérée en appuyant sur la touche ① pendant la durée paramétrée.

La touche ① s'allume quand l'horloge est activée si cette fonction a été programmée.

C. Déverrouillage en utilisant le bouton de sortie

Vous pouvez activer la gâche de porte électrique en appuyant sur le bouton de sortie connecté à l'appareil. Le fait d'appuyer sur le bouton de sortie 1 a pour effet de libérer le relais 1, et le fait d'appuyer sur le bouton de sortie 2 a pour effet de libérer le relais 2.

- Quand la porte est déverrouillée à l'aide du bouton de sortie, la led ne s'allumera pas et aucun bip ne retentira.

PRECAUTIONS TECHNIQUE

- Température de fonctionnement : Entre -10°C et 60°C
- Nettoyage: Nettoyez l'appareil avec un chiffon doux imprégné d'un produit d'entretien domestique neutre. Ne pas utiliser de détergent ou de chiffon abrasifs.
- L'appareil est résistant aux intempéries. Cependant, ne pas pulvériser directement de l'eau à haute pression sur le

clavier codé.

- En cas de problème de fonctionnement, appuyer simultanément sur les touches ⑦, ①, ⑧, et ② puis relâcher.
※) Les LED's (orange et verte) clignoteront et un bip sonore retentira, pour la remise en fonctionnement. (Attention cette manipulation ne remet pas la programmation usine.)
- Si cette manipulation ne résout pas le problème, contactez le technicien qui a installé ce produit.

CARACTERISTIQUES TECHNIQUES

- Alimentation électrique: 12 ~ 24 V c.a.
12 ~ 24 V c.c.
- Puissance consommée: c.c: Maximum 70 mA
c.a: Maximum 100 mA
- Dimensions: 95.2 (H) × 110 (L) × 29.3 (P) mm
- Poids: approxi. 330g
- Nombre de relais: 2
- Contact de relais: N/O, N/F
- Capacité de contact du relais: 24 V c.c, 3 A (charge résistive)
1A (charge inductive)
24 V c.a, 3 A (charge résistive)
1A (charge inductive)

GARANTIE

Aiphone garantit que ses produits ne sont affectés d'aucun défaut de matière ni de fabrication, en cas d'utilisation normale et de réparations conformes, pendant une période de deux ans après la livraison à l'utilisateur final, et s'engage à effectuer gratuitement les réparations nécessaires ou à remplacer l'appareil gratuitement si celui-ci présente un défaut, à la condition que ce défaut soit bien confirmé lors de l'examen de l'appareil et que l'appareil soit toujours sous garantie. Aiphone se réserve le droit exclusif de décider s'il existe ou non un défaut de matière ou de fabrication et si l'appareil est ou non couvert par la garantie. Cette garantie ne s'applique pas à tout produit Aiphone qui a été l'objet d'une utilisation impropre, de négligence, d'un accident ou qui a été utilisé en dépit des instructions fournies; elle ne couvre pas non plus les appareils qui ont été réparés ou modifiés en dehors de l'usine. Cette garantie ne couvre pas les piles ni les dégâts infligés par les piles utilisées dans l'appareil. Cette garantie couvre exclusivement les réparations effectuées en atelier. Toute réparation doit être effectuée à l'atelier ou à l'endroit précisé par écrit par Aiphone. Aiphone décline toute responsabilité en cas de frais encourus pour les dépannages sur site. Aiphone n'indemniser pas le client en cas de pertes, de dommages ou de désagréments causés par une panne ou un dysfonctionnement d'un de ses produits.

VORSICHTSMASSNAHMEN

- ⊘ Allgemeine Verbote ⊘ Verbot die Anlage zu zerlegen
- Ⓛ Allgemeine Vorsichtsmaßnahmen

⚠ WARNUNG

(Nichtbeachtung kann zu schweren oder lebensgefährlichen Verletzungen führen)

- ⊘ 1. Keine anderen als die angegebenen Spannungsversorgungen an die Anschlüsse + und - anschließen und nicht zwei Netzgeräte parallel an einen Eingang anschließen. Andernfalls besteht Brandgefahr, das Gerät könnte beschädigt werden oder es könnten Funktionsstörungen des Systems auftreten.
- ⊘ 2. Das Gerät ist nicht explosionsgeschützt. Bringen Sie das Gerät nicht in der Nähe von Gasleitungen oder brennbaren Materialien an. Es könnte sonst Feuer entstehen oder zu einer Explosion kommen.
- Ⓛ 3. Geräte keinesfalls zerlegen oder Änderungen vornehmen. Sonst besteht Brand- und/oder Stromschlaggefahr.
- ⊘ 4. Das Gerät muss von einem sachkundigen Installateur installiert und angeschlossen werden.

⚠ VORSICHT

(Nichtbeachtung kann zu Verletzungen und zu Sachbeschädigungen führen)

- Ⓛ 1. Geräte an geeigneten Stellen, geschützt vor Stößen oder Erschütterungen montieren. Es könnte sonst beschädigt werden.
- Ⓛ 2. Keine Verdrahtungsarbeiten ausführen, während die Anlage unter Spannung steht.
- Ⓛ 3. Vor dem Einschalten sicherstellen, dass alle Kabel korrekt angeschlossen und nicht kurzgeschlossen sind. Sonst besteht Brand- und/oder Stromschlaggefahr.
- ⊘ 4. Die Anlage nicht an den folgenden Stellen installieren, da sonst Brand- und/oder Stromschlaggefahr besteht bzw. das Gerät beschädigt werden könnte.

- * Stellen, an denen die Anlage mit Staub, Öl oder Chemikalien in Berührung kommt.
- * Stellen, die extremer Feuchtigkeit oder Nässe ausgesetzt sind, wie z.B. Bad, Kellerräume, Gewächshäuser usw.
- * Stellen mit niedrigen Temperaturen, wie z.B. in gekühlten Räumen oder vor einer Klimaanlage.
- * Stellen, die Dampf oder Rauch ausgesetzt sind (in der Nähe von Heizkörpern oder Herden).
- * In der Nähe von Geräuschquellen wie zum Beispiel Dimmerschaltern und Wechselstrom-Elektrogeräten.

ALLGEMEINE VORSICHTSMASSNAHMEN

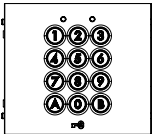

1. Dieses Produkt ist eine Steuereinheit des Türöffners, sollte aber nie zur reinen Verbrechensverhütung verwendet werden.
2. Die Sprechstelle ist wetterfest, es darf jedoch kein Wasser aus einem Hochdruckschlauch direkt auf die Sprechstelle gespritzt werden. Das kann zu einer Funktionsstörung / Beschädigung der Anlage führen.
3. Das Gerät ist während eines Stromausfalls nicht einsatzbereit.
4. Auch Geräte anderer Hersteller, die mit diesem System verwendet werden, wie z.B. Sensoren, Bewegungsmelder oder Türöffner, müssen den Spezifikationen und Garantiebedingungen der Hersteller und Anbieter entsprechen.
5. Darauf achten, dass die Sprechanlagenleitungen mindestens 30 cm von der Netzanschlussleitung (100 - 240 V~) entfernt geführt werden, auch von Netzgeräten oder Zuleitungen anderer elektrischer Geräte.

INHALT

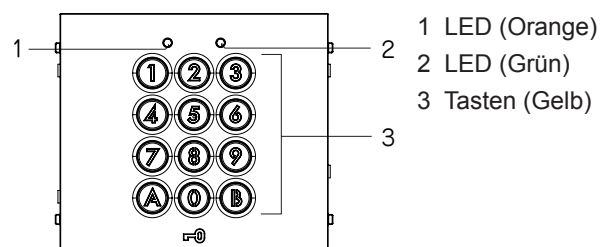
VERZEICHNIS DER EINSTELLUNGEN UND REGISTRIERUNGSDetails ...	2
VORSICHTSMASSNAHMEN.....	19
VERPACKUNGSIHALT	19
BEZEICHNUNG DER TEILE	19
MONTAGE.....	20
MONTAGE/VERKABELUNG, VERKABELUNGSENTFERNUNG ...	20

FUNKTIONEN • SETUP	22
BEDIENUNG.....	26
HILFREICHE TIPS	26
TECHNISCHE DATEN	26
GARANTIE	26

VERPACKUNGSIHALT

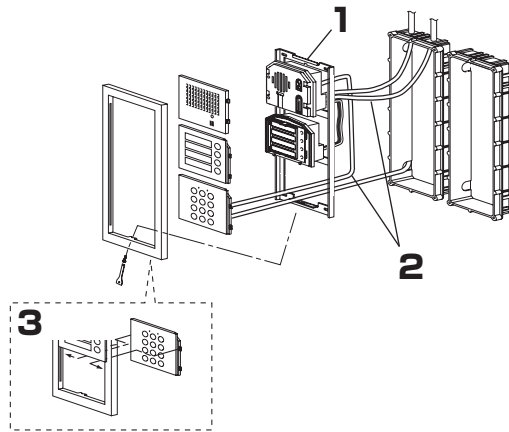
Gerät	Installations- und bedienungsanleitung
	

BEZEICHNUNG DER TEILE



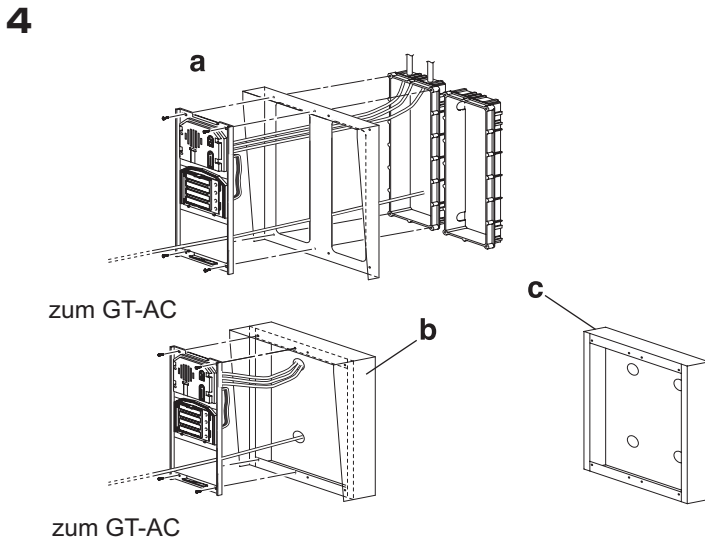
MONTAGE

Die nachstehenden Abbildungen zeigen das GH-System.

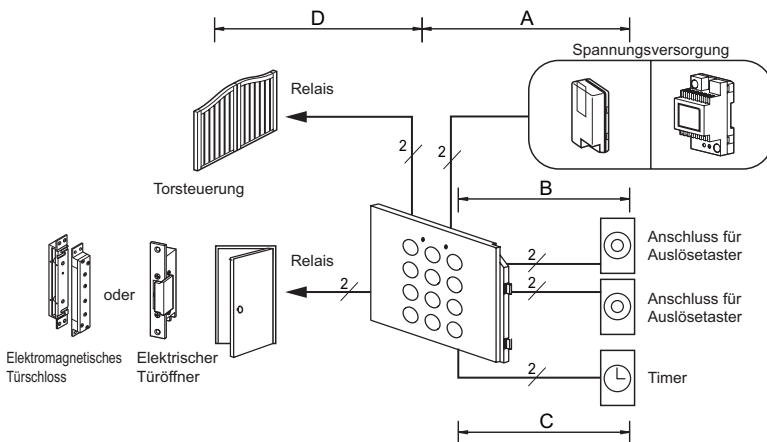


1. Den Zwischenrahmen am Unterputzkasten (bzw. Aufputzkasten) befestigen.
2. Die Kabel an das Gerät anschließen.
3. Einsetzen des GT-AC in den Modulrahmen.
 - Das GT-AC von hinten in Modulrahmen einsetzen.
 - Nasen auf beiden Seiten in die Nuten einrasten.
4. Weitere Komponenten
 - a. Regendach
 - b. Aufputzkasten mit Regendach
 - c. Aufputzkasten

*Einzelheiten zur Montage von anderen Frontplatten und Modulen finden Sie in der GF-, GH- oder GT-Installations- und Bedienungsanleitung.



MONTAGE/VERKABELUNG, VERKABELUNGSENTFERNUNG



(Verkabelungsentfernung)

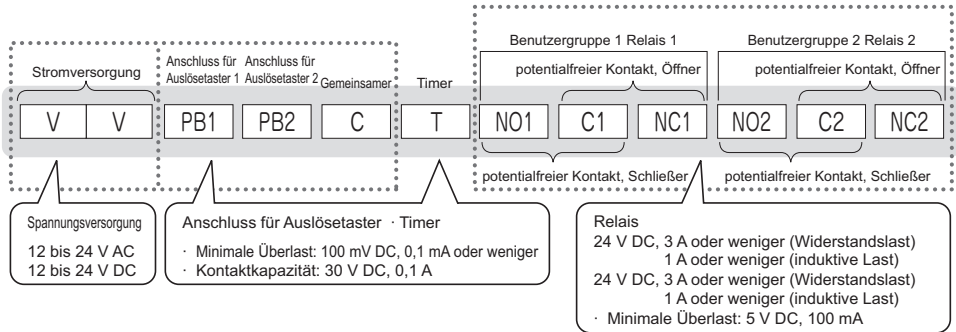
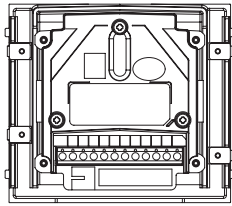
	Stromversorgung	0,65 - 1,0 mm Durchmesser
A	AC/DC 12 ~ 18 V (weniger als)	100m
	AC/DC 18 ~ 24 V	300m
B	-	300m
C	-	300m
D	Die Verbindungsentfernung hängt im Einzelnen von den Spezifikationen der angeschlossenen Komponenten ab.	

(*1) Verwenden Sie für das GT-AC eine separate Spannungsversorgung, nicht jene, die das System versorgen.

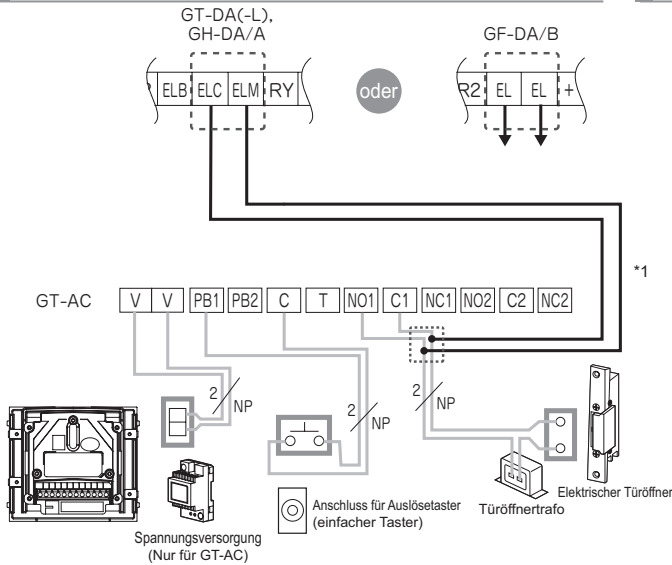
(*2) Das GT-AC besitzt 2 Relais. Für Türsprechmodule wird nur ein Relais benötigt.

Klemmenbezeichnungen

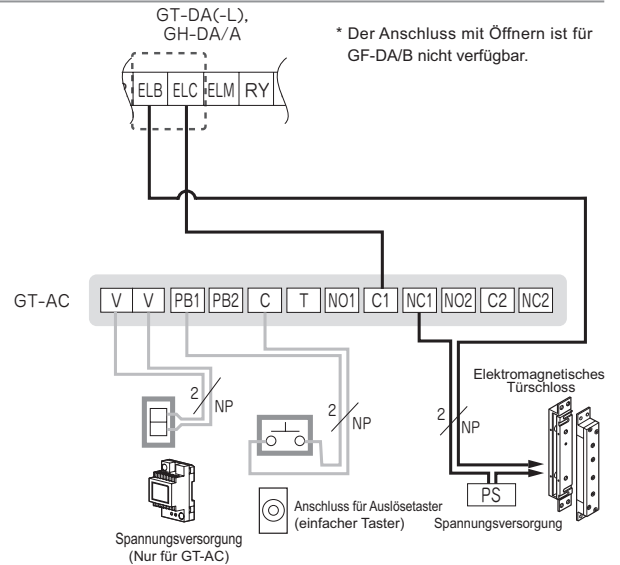
Rückseite des GT-AC



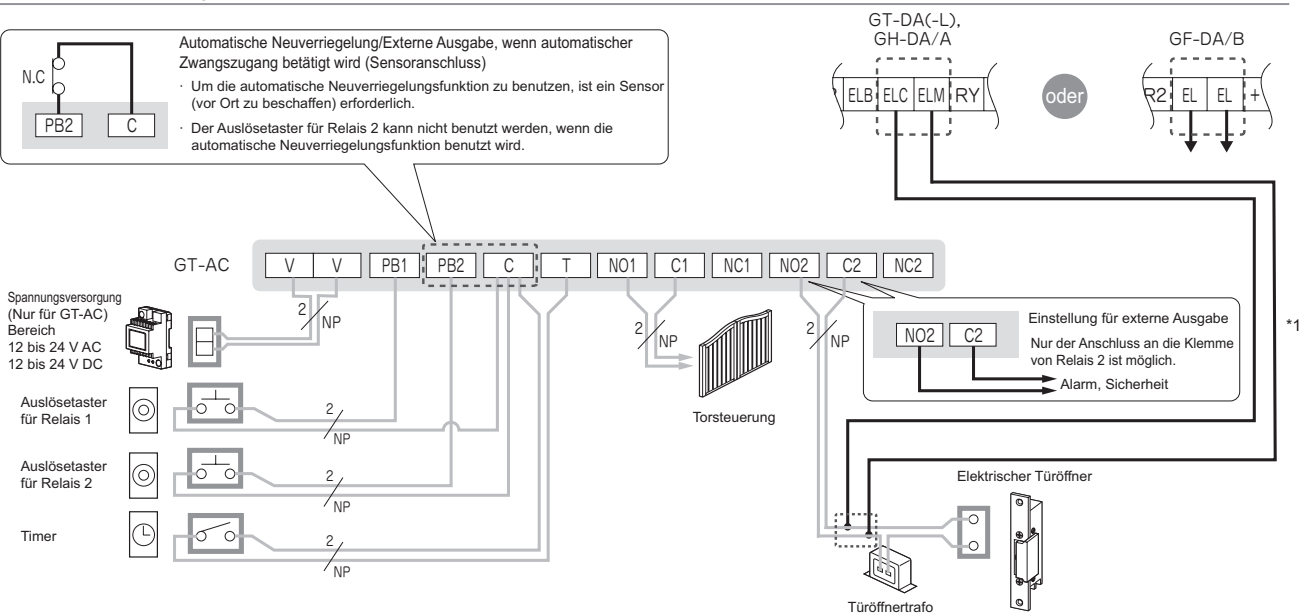
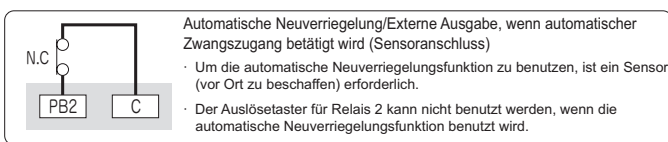
Relais 1 mit potentialfreiem Schließer.



Relais 1 mit potentialfreiem Öffner.



Relais 1: Torsteuerung am Schließer, Relais 2: Elektrischer Türöffner am Schließer.



(*1) Die Relaiszeiten der GT-DA(-L), GH-DA/A, GF-DA/B unterscheiden sich von denen der GT-AC.

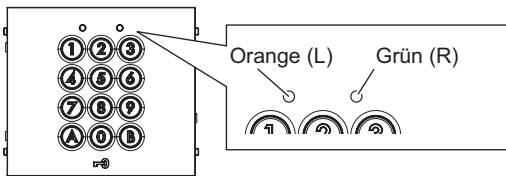
FUNKTIONEN-SETUP

Dieser Abschnitt erläutert die Einstellungen für die einzelnen Funktionen, einschließlich Mastercode für die Setup-Funktion und Zugangscodes für die Entriegelung, Summer und LEDs.
Hinweis zum SETUP:

Geben Sie den Mastercode zweimal ein, um in den Setup-Modus zu gelangen und geben Sie dann den Setting-Code ein, um die Einstellungen für die gewünschte Funktion durchzuführen. Nachdem Sie die Einstellungen vorgenommen haben, geben Sie den nächsten Setting-Code ein, um den Einstellvorgang fortzusetzen. Drücken Sie (B), um den Setup-Modus zu beenden.

Funktion	Zulässiger Eingabebereich	Werkseinstellung	Setting-Code
I Einstellung der Codelänge Sie können die Länge des Mastercodes und der Zugangscodes ändern. ※) Beide Codes müssen die gleiche Länge haben.	4-, 5- oder 6-stellig	4-stellig	(A) (3)
II Einstellung des Mastercodes Geben Sie einen Mastercode mit 4 bis 6 Stellen (Buchstaben oder Ziffern) ein. ※) Die Anzahl der Stellen, wird durch Einstellen der Codelänge festgelegt.	1 Gültige Eingaben: 0 - 9, A, B	1234	(A) (4)
III Einstellung des Codes für Benutzergruppe 1 Einstellung der Zugangscodes für Benutzergruppe 1. ※) Die Anzahl der Codestellen kann durch Einstellen der Codelänge festgelegt werden.	Anzahl der Codes: 60 Gültige Eingaben: 0 - 9, A, B	-	(0) (0) - (5) (9)
Einstellung des Codes für Benutzergruppe 2 Einstellung der Zugangscodes für Benutzergruppe 2. ※) Die Anzahl der Codestellen kann durch Einstellen der Codelänge festgelegt werden.	Anzahl der Codes: 40 Gültige Eingaben: 0 - 9, A, B	-	(6) (0) - (9) (9)
IV Einstellung der Tastenbeleuchtungszeit Sie können die Dauer der Tastenbeleuchtung nach Drücken einer Taste einstellen.	Beleuchtungszeit: 10 bis 99 Sekunden, oder ständig	10 Sek.	(A) (0)
V Einstellung der Auslösezeit für Relais 1 Sie können die Auslösezeit von Relais 1 einstellen.	Auslösezeit: 1 bis 99 Sekunden, oder bis Code erneut eingegeben wird.	3 Sek.	(A) (1)
III Einstellung der Auslösezeit für Relais 2 Sie können die Auslösezeit von Relais 1 einstellen.	Auslösezeit: 1 bis 99 Sekunden, oder bis Code erneut eingegeben wird.	3 Sek.	(A) (2)
VI Reset der Einstellungen Sie können alle Einstellungen auf die Werkseinstellung zurückstellen.	-	-	(A) (5)
VII Einstellung für externe Ausgabe Das mit der Verkabelung von Relais 2 verbundene Alarm- oder Sicherheitssystem wird aktiviert, wenn die Funktion „Eingabe-Sperre“ oder „Zwangszugang“ ausgeführt wird. *Eingabe-Sperre: Siehe VIII weiter unten. *Zwangszugang: Diese Funktion ist mit dem Tür-Öffnungs-/Schließungssensor (N.C.) gekoppelt, der mit PB2 und C verbunden ist, und wird ausgeführt, wenn die Tür geöffnet wird, ohne diese Einheit zu aktivieren. (z. B. unzulässiger Zugang, manuelle Entriegelung usw.) *) Wenn es eine Methode zum Öffnen der Tür gibt, ohne diese Einheit zu aktivieren, z. B. manuelle Entriegelung, führen Sie nicht die Einstellung für externe Ausgabe bei Zwangszugang durch.	· AUS · Während Eingabe-Sperre · Während der Zwangszugangs-Auslösung · Während der Eingabe-Sperre und Zwangszugangs-Auslösung	AUS	(A) (6)
VIII Eingabe-Sperre Wenn mehrere falsche Zugangscodes eingegeben wurden, wird die Code-Eingabefunktion für eine einstellbare Zeitspanne gesperrt. · Wenn die Eingabe-Sperre aktiv ist, blinkt die LED (Orange) und das Tastenfeld, und der Summer ertönt 3 Sekunden lang. Dieser Ton weist lediglich darauf hin, dass die Funktion aktiviert worden ist. Es ist kein Warnton. Wenn ein Warnton abgegeben werden soll, nutzen Sie bitte die externe Ausgabefunktion, um eine im Fachhandel erhältliche Alarmvorrichtung zu aktivieren. · Die Entriegelungsfunktion ist auch bei aktiver Eingabe-Sperre wirksam, wenn die Auslösetaste gedrückt wird.	EIN/AUS Ungültige Versuche: 10 bis 99 Versuche Zeit der Eingabe-Sperre: 10 bis 99 Sekunden	AUS	(A) (7)
IX Automatische Neuverriegelung (Verfolgungssperre) Nachdem die Tür entriegelt worden ist, verriegelt sie sich selbsttätig eine Sekunde nach dem Schließen, um den Zugang Unbefugter zu verhindern. ※)1	EIN/AUS	AUS	(A) (8)
X Einstellung für timergesteuerte Entriegelung Das Gerät kann so eingestellt werden, dass während einer, von einem externen Timer eingestellten Zeit, die Tür entriegelt wird, indem die Taste "(0)" gedrückt wird. Wenn die Tür mit dem Timer gekoppelt ist, kann die Entriegelung mit einem Zugangscod und dem Auslösetaster durchgeführt werden. Bei eingestellter Auslösedauer, bis zur erneuten Codeeingabe, schaltet sich das Relais bei jedem Drücken der Taste "(0)" EIN/AUS.	Verbundenes Relais: Relais 1 Relais 2 Relais 1 und 2 Beleuchtung der Taste "0": EIN/AUS	Verbundenes Relais: Relais 1 Beleuchtung der Taste "0": AUS	(A) (9)
XI Signalton-Einstellungen Sie können die Signaltöne bei Benutzung des Türmoduls EIN- oder AUSschalten.	EIN/AUS	EIN	(A) (A)

- Die Einstellung kann auch bei ausgeschalteter Stromversorgung gespeichert werden.
 - Das Türmodul kann nicht in den SETUP-Modus gebracht werden, während ein Relais angesteuert wird.
 - Wenn im SETUP-Modus ca. 120 Sekunden keine Eingabe erfolgt, wird der SETUP-Modus automatisch verlassen.
 - Während sich das Gerät im SETUP-Modus befindet, kann mit keiner Funktion die Tür entriegelt werden.
 - Die Lautstärke (Kontrollton, Signalton usw.) von der Haupteinheit kann je nach Montagezustand leiser werden.
- 22 ※ 1 : Wenn die automatische Neuverriegelung verwendet wird, kann der Anschluss für Auslösetaster für Relais 2 nicht benutzt werden. Die Ausgabe von Relais 2 ist nur möglich, wenn Zugangscod-Entriegelung durchgeführt wird.



Die Eingaben werden durch Aufleuchten der LEDs, im oberen Bereich des Gerätes und durch ertönen des Summers bestätigt.

Geben Sie den Mastercode zweimal ein.
(Werkseinstellung: 1 2 3 4 1 2 3 4)

(orange) Beleuchtung Blinken (grün) Beleuchtung Blinken
Piep, Piep

I Einstellung der Codelänge (Werkseinstellung: 4-stellig) II Einstellung des Mastercodes (Werkseinstellung: 1234) III Code eingeben
Gruppe 1 Gruppe 2

Geben Sie den Setting-Code ein.
A 3

Beleuchtung Blinken
Piep

Geben Sie den Setting-Code ein.
A 4

Beleuchtung Blinken
Piep

00 - 59
Eingabe der Benutzernummer (z. B.: 01)
0 1

Wenn ein bereits benutzer Zugangscodes gewählt wird
Beleuchtung Blinken
Piep

Blinkt zweimal
Beleuchtung
Piep, Piep

60 - 99
Eingabe der Benutzernummer (z. B.: 60)
6 0

Wenn ein bereits benutzer Zugangscodes gewählt wird
Beleuchtung Blinken
Piep

Blinkt zweimal
Beleuchtung
Piep, Piep

Eingabe der Codelänge (z. B.: 5-stellig)
4-, -5 oder 6-stellig
5

Beleuchtung Blinken
Piep

Eingabe des neuen Mastercodes (z. B.: 4321)
4 3 2 1

Beleuchtung Blinken
Piep

Eingabe des Codes (z. B.: 1006)
* Die Ziffern 0 - 9 und die Buchstaben A und B können benutzt werden.
1 0 0 6

Beleuchtung Blinken
Piep

Eingabe des Codes (z. B.: 04B2)
* Die Ziffern 0 - 9 und die Buchstaben A und B können benutzt werden.
0 4 B 2

Beleuchtung Blinken
Piep

- Wenn "B" gedrückt wird, leuchtet die grüne LED auf, der Summer ertönt zweimal, und der SETUP-Modus wird beendet.
(Falls "B" im Zugangs- oder Mastercode enthalten ist, wird der SETUP-Modus nicht beendet.)
- Der SETUP-Modus kann fortgesetzt werden, indem ein beliebiger Setting-Code eingegeben wird.

Lampe erlischt Blinken
Piep, Piep

- Der eingestellte Code wird gespeichert, selbst wenn die Codelänge geändert wurde. Es können keine Codes mit unterschiedlicher Länge verwendet werden.
- Wenn die Codelänge geändert wurde, wird der Mastercode auf die Werkseinstellung zurückgestellt (wenn die Codelänge 4-, 5- oder 6-stellig ist, lautet der Mastercode entsprechend "1234", "12345" oder "123456").
- Bitte beachten: Während der timergesteuerten Entriegelung kann in den SETUP-Modus geschaltet werden, wenn keine "0" im Mastercode enthalten ist (da sonst Türöffnung erfolgt). Gegebenenfalls den Timer ausschalten, um in den SETUP-Modus zu kommen.
- Mastercode und Zugangscodes können nicht identisch sein. Der zuerst festgelegte Code hat Vorrang.
- Stellen Sie keine zu einfachen Codes, wie z. B. 1111, ein.
- Wir empfehlen, den werkseitig eingestellten Mastercode zu ändern.
- Um einen eingestellten Zugangscodes ungültig zu machen, geben Sie 0000 (bei 4-stelligem Code), 00000 (bei 5-stelligem Code) oder 000000 (bei 6-stelligem Code) ein. Zugangscodes, die nur Nullen enthalten, sind keine nutzbaren Zugangscodes.
- Da die Werkseinstellung für den Mastercode "1234" ist, können "1234" (4-stellig), "12345" (5-stellig) und "123456" (6-stellig), nicht als Zugangscodes gewählt werden.
- Stellen Sie keine zu einfachen Codes, wie z. B. 1111, ein.
- *** Mastercode und Zugangscodes können nicht identisch sein. Der zuerst festgelegte Code hat Vorrang.**

Geben Sie den Mastercode zweimal ein.
(Werkseinstellung: ① ② ③ ④ ① ② ③ ④)

IV Einstellung der Tastenbeleuchtungszeit
(Werkseinstellung: 10 Sek.)

V Einstellung der Relais-Auslösezeit
(Werkseinstellung: 3 Sek.)

VI Zurücksetzen auf Werkseinstellungen

VII Einstellung externer Ausgang
(Werkseinstellung: AUS)

Einstellung Relais 1 Einstellung Relais 2

Geben Sie den Setting-Code ein. A 0 A 1 A 2 A 5 A 6

Beleuchtung Blinken Beleuchtung Blinken Beleuchtung Blinken Beleuchtung Blinken

Eingabe der Beleuchtungszeit (z. B.: 20 Sekunden) ② ① Eingabe der Relais-Auslösezeit (z. B.: 99 Sekunden) ⑨ ⑨

10 - 99 01 - 99 ① ② ③ ① ② ③ ①

Indikator leuchtet ständig.: 00 Auslösung bis 2. Codeeingabe: 00

Beleuchtung Blinken Beleuchtung Blinken Beleuchtung Blinkt dreimal Beleuchtung Blinken

Piep Piep Piep, Piep, Piep Piep

während der Eingabe-Sperre Während der Zwangsangabe-Auslösung Während der Eingabe-Sperre und Zwangsangabe-Auslösung AUS

- Wenn "B" gedrückt wird, leuchtet die grüne LED auf, der Summer ertönt zweimal, und der SETUP-Modus wird beendet.
(Falls "B" im Zugangs- oder Mastercode enthalten ist, wird der SETUP-Modus nicht beendet.)

- Der SETUP-Modus kann fortgesetzt werden, indem ein beliebiger Setting-Code eingegeben wird.

- Falls "Relaisauslösezeit bis 2. Codeeingabe" gewählt wurde und die Tür entriegelt wird, wird sie erst wieder verriegelt, wenn der Zugangscode wieder eingegeben wird.
- Während ein Relais angesteuert wird, kann das Türcodemodul nicht in den SETUP-Modus gebracht werden.
- Wenn die Spannungsversorgung ausgeschaltet ist und die Tasten "1", "2" und "3" gleichzeitig gedrückt werden, während die Auslösetaste 1 gedrückt wird (Kurzschluss zwischen PB1 und C), können alle Einstellungen auf die Werkseinstellungen zurückgestellt werden, indem, während die Spannungsversorgung wieder eingeschaltet wird, die Tasten "1", "2" und "3" für 3 Sekunden gleichzeitig gedrückt werden.
- Wenn der externe Ausgang genutzt wird, darf die Auslösezeit für Relais 2 nicht auf Auslösung bis 2. Codeeingabe stehen.

Geben Sie den Mastercode zweimal ein.
(Werkseinstellung: 1 2 3 4 1 2 3 4)

(orange) Beleuchtung Blinken
(grün) Beleuchtung Blinken
Piep, Piep

VIII Eingabe-Sperre (Werkseinstellung: AUS)
IX Automatische Neuverriegelung (Verfolgungssperre) (Werkseinstellung: AUS)
X Einstellung der timergesteuerten Entriegelung (Werkseinstellung: Relais 1, AUS)
XI Signalton-Einstellungen (Werkseinstellung: EIN)

Geben Sie den Setting-Code ein. (A 7)
 Beleuchtung Blinken
 Piep

Geben Sie den Setting-Code ein. (A 8)
 Beleuchtung Blinken
 Piep

Geben Sie den Setting-Code ein. (A 9)
 Beleuchtung Blinken
 Piep

Geben Sie den Setting-Code ein. (A A)
 Beleuchtung Blinken
 Piep

AUS EIN

AUS EIN

Relais 1 und 2 sind gekoppelt Nur Relais 1 Nur Relais 2

Betriebston AUS Betriebston EIN

0 1

0 1

0 1 2

0 1

Beleuchtung Blinken
Piep

Beleuchtung Blinken
Piep

Beleuchtung Blinken
Piep

Beleuchtung Blinken
Piep

Beleuchtung Blinken
Piep

Beleuchtung Blinken
Piep

Geben Sie die mögliche Anzahl von Zugangscode-Fehlversuchen bis zur Eingabe-Sperre an. 10 -99 1 0

Beleuchtung Blinken
Piep

Geben Sie die Dauer für die Eingabe-Sperre an. 10 - 99 1 0

Beleuchtung Blinken
Piep

Beleuchtung der Taste "0" AUS, während Timer eingeschaltet ist

Beleuchtung der Taste "0" EIN, während Timer eingeschaltet ist

0 1

Beleuchtung Blinken
Piep

- Wenn "B" gedrückt wird, leuchtet die grüne LED auf, der Summer ertönt zweimal, und der SETUP-Modus wird beendet.
 (Falls "B" im Zugangs- oder Mastercode enthalten ist, wird der SETUP-Modus nicht beendet.)

- Der SETUP-Modus kann fortgesetzt werden, indem ein beliebiger Setting-Code eingegeben wird.

Lampe erlischt
Blinken
Piep, Piep

- Wenn die Auslösezeit für Relais 1 bis zur erneuten Codeeingabe eingestellt ist, wird die automatische Neuverriegelungsfunktion deaktiviert.
- Bei automatischer Neuverriegelungsfunktion, ist die Auslösetaste für Relais 2 deaktiviert.
- Falls die Beleuchtungsfunktion der Taste "0", durch die timergesteuerte Entriegelung, eingeschaltet ist, leuchtet nur die Taste "0" auf, auch wenn im SETUP die Einstellung "Tastenbeleuchtung immer an" eingestellt ist.

English
 Français
 Deutsch
 Español
 Nederlands

BEDIENUNG

A. Entriegelung mit Zugangscode

Wenn ein gültiger Zugangscode (zwischen 4 und 6 Stellen) mit dem Tastenfeld eingegeben worden ist, leuchtet die LED (Gruppe 1: orange, Gruppe 2: grün) auf, der Summer ertönt, und der elektrische Türöffner wird betätigt.

z. B.): Gruppe 1
1006

Gruppe 2
04B2

Orangefarbene LED leuchtet auf (während des Betriebs von Relais 1)



Grüne LED leuchtet auf (während des Betriebs von Relais 2)



- Der maximale Zeitabstand zwischen zwei Eingaben beträgt ca. 10 Sekunden. Bei Überschreitung wird die Eingabe nicht berücksichtigt.
- Falls bei der Eingabe des Zugangscode ein Fehler unterläuft, geben Sie den Code erneut ein.
- Wenn die Sprerr-Funktion aktiviert wurde, durch Eingabe einer bestimmten Anzahl (10 - 99 Mal) ungültiger Codes, wird jegliche Eingabemöglichkeit, für die eingestellte Zeit (10-99 Sekunden), gesperrt. Während dieser Zeit blinkt die Tastenbeleuchtung 4-mal, die LED (orange) blinkt für die eingestellte Sperrzeit, und der Summer ertönt für ca. 3 Sekunden.

B. Timergesteuerte Entriegelung

Wenn die timergesteuerte Entriegelungsfunktion aktiv ist, kann die Tür durch Drücken der Taste "0", während der eingestellten Zeit, entriegelt werden.

Die Beleuchtung der Taste "0" leuchtet auf, wenn der Timer durch die Einstellung aktiviert wird.

C. Entriegelung mit der Auslösetaste.

Zum Verlassen des Gebäudes, kann der elektrische Türöffner aktiviert werden, indem die mit dem Gerät verbundene Auslösetaste betätigt wird. Durch Drücken der Auslösetaste 1 wird Relais 1 ausgelöst und durch Drücken der Auslösetaste 2 wird Relais 2 ausgelöst.

- Wenn die Tür mit dem Auslösetaster entriegelt wird, leuchtet die LED nicht auf, und der Summer ertönt nicht.

HILFREICHE TIPS

- Betriebstemperatur: Zwischen -10 °C und 60 °C
- Reinigung: Reinigen Sie das Gerät mit einem weichen Tuch, das Sie mit einem neutralen Haushaltsreiniger angefeuchtet haben. Verwenden Sie keine Scheuermittel oder Scheuertücher.
- Das Gerät ist wetterbeständig. Spritzen Sie jedoch kein Wasser unter hohem Druck direkt auf das Tastenfeld.
- Wenn Sie im Störfall die Tasten "7", "0", "8" und "B" gleichzeitig drücken und wieder loslassen, wird die Reset-Funktion ausgeführt.

- ※)Die LEDs (orange & grün) blinken, und der Summer ertönt, wenn der Reset erfolgt. (Die Einstellungen werden dadurch nicht auf die Werkseinstellung zurückgestellt.)
- Falls ein Reset erfolglos bleibt und sich das Gerät nicht zurücksetzen lässt, kontaktieren Sie bitte die Firma, die das Gerät installiert hat.

TECHNISCHE DATEN

- Spannungsversorgung: 12 - 24 V AC
12 - 24 V DC
- Stromverbrauch: DC: Max. 70 mA
AC: Max. 100 mA
- Abmessungen: 95.2 (H) × 110 (B) × 29.3 (T) mm
- Gewicht: ca. 330g
- Anzahl der Relaiskreise: 2
- Relaiskontakt: Schließer, Öffner
- Relaiskontaktkapazität: 24 V DC, 3 A (Widerstandslast)
1 A (induktive Belastung)
24 V AC, 3 A (Widerstandslast)
1 A (induktive Belastung)

GARANTIE

Die Gewährleistung beträgt 24 Monate. Diese erstreckt sich nicht auf natürlichen Verschleiß, fehlerhafte Installation, unsachgemäße Behandlung oder fremde Eingriffe an den Geräten. Erkennbare Mängel müssen unverzüglich nach Empfang der Ware, nicht erkennbare Mängel, unverzüglich nach deren Entdeckung, schriftlich geltend gemacht werden. Gewährleistungen bewirken keine Verlängerung der Gewährleistungsfrist. Mangelhafte Geräte sind mit Liefer- bzw. Rechnungsnachweis einzuschicken. Bei berechtigten Beanstandungen verpflichten wir uns, nach unserer Wahl, zur kostenlosen Nachbesserung oder Ersatzlieferung der Geräte. Ist die Mangelbehebung nach angemessener Frist nicht erfolgt, hat der Käufer Rücktrittsrecht. Weitere Ansprüche des Käufers sind ausgeschlossen. Soweit durch Ersatzpflicht nicht anders geregelt, ist unsere Haftung auf den vorhersehbaren, typischen Schaden begrenzt. Aiphone erstattet keinerlei Schadensersatz bei Verlust oder Schaden, die während des Betriebs seiner Produkte, durch Ausfall oder Fehlfunktion aufgetreten. Dies gilt ebenfalls für sämtliche daraus resultierende Unannehmlichkeiten oder Verluste.

PRECAUCIONES

- ⊘ Prohibiciones generales
- ⊘ Prohibición de desmontar la unidad
- Ⓛ Precauciones generales

⚠ ADVERTENCIA

(No seguir estas instrucciones podría provocar daños graves o incluso mortales)

- ⊘ 1. No conecte ninguna fuente de alimentación que no sea la especificada a los terminales + y -, ni instale dos fuentes de alimentación en paralelo en una entrada única. Se pueden producir incendios, daños en la unidad o averías en el sistema.
- ⊘ 2. La unidad no es a prueba de explosiones. No instale u opere cerca de gases o materiales inflamables. Puede producirse un incendio o una explosión.
- Ⓛ 3. No desmonte ni modifique la unidad. Existe peligro de incendio o descargas eléctricas.
- ⊘ 4. La unidad la debe instalar y cablear un técnico calificado.

⚠ PRECAUCION

(No seguir estas instrucciones podría causar daños físicos o materiales)

- Ⓛ 1. Cuando monte la unidad en la pared, hágalo en un lugar apropiado, donde no pueda golpearla o moverla. Puede sufrir lesiones.
- Ⓛ 2. No instale ni realice terminaciones de alambres mientras la unidad esté enchufada, ya que podría producir descargas eléctricas y dañar la unidad.
- Ⓛ 3. Antes de encender la unidad, asegúrese de que no haya ningún cable cruzado o en cortocircuito. Existe peligro de incendio o descargas eléctricas.
- ⊘ 4. No instale la unidad en ninguno de los siguientes lugares. Podrían producirse incendios, descargas eléctricas o daños a la unidad.

- * Lugares en los que haya polvo, aceite o productos químicos.
- * Lugares con mucha humedad, como cuartos de baño, sótanos, invernaderos, etc.
- * Lugares en los que la temperatura sea demasiado baja, como dentro de un área refrigerada o enfrente de un aparato de aire acondicionado.
- * Lugares expuestos al vapor o humo (cerca de superficies de calefacción o para cocinar).
- * Donde esté cerca de dispositivos generadores de ruido, como dispositivos reguladores de voltaje o equipos eléctricos inversores.

PRECAUCIONES GENERALES

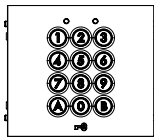

1. Este producto, al tratarse de una unidad de control de abrepuertas, no debe usarse como dispositivo de prevención contra delitos.
2. El portero sirve para intemperie, pero no se recomienda que lo rocíe con agua a alta presión. La unidad podría resultar dañada.
3. La unidad deja de funcionar durante una falla en la alimentación.
4. Con respecto a dispositivos de otros fabricantes (tales como sensores, detectores, abrepuertas, que se utilizan con el sistema), estos cumplen con las especificaciones y garantías que los fabricantes o proveedores presentan.
5. Mantenga los alambres de intercomunicación a más de 30 cm (12 pulg.) de distancia del línea de CA 100~240 V, en particular de convertidores eléctricos del línea CA.

CONTENIDO

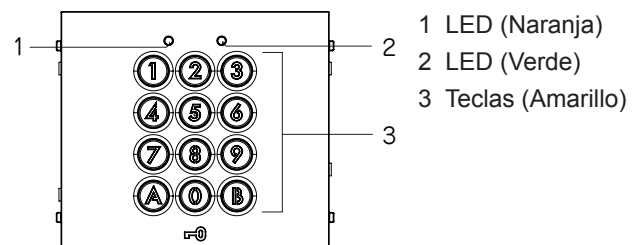
DATOS DE CONFIGURACIÓN Y DETALLES DE LOS REGISTROS ...	2
PRECAUCIONES.....	27
CONTENIDO DEL PAQUETE	27
NOMBRES	27
MONTAJE	28
MÉTODO DE MONTAJE/CABLEADO, DISTANCIA DE CABLEADO ...	28

FUNCIONES-CONFIGURACIÓN	30
OPERACIONES	34
PRECAUCIONES TÉCNICAS	34
ESPECIFICACIONES	34
GARANTÍA	34

CONTENIDO DEL PAQUETE

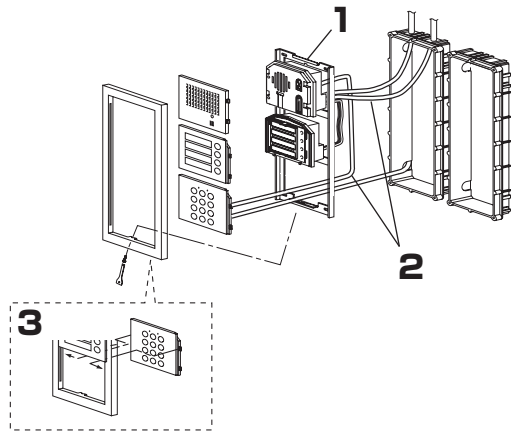
Unidad	Manual de instalación y uso
	

NOMBRES



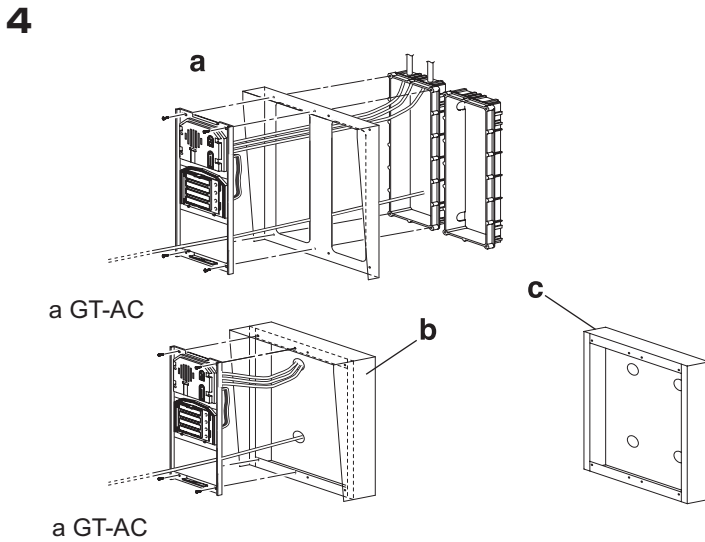
MONTAJE

Las ilustraciones de abajo muestran el sistema GH.

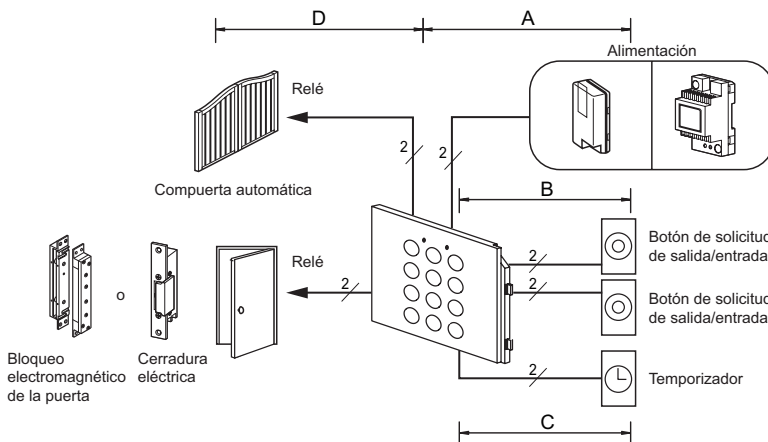


1. Fije el soporte de montaje a la caja posterior (o de montaje sobrepuesto).
2. Conecte los cables a la unidad.
3. Monte GT-AC en el marco frontal.
 - Monte GT-AC desde atrás del marco frontal.
 - Inserte la muesca en las ranuras que se encuentran a ambos lados.
4. Opciones
 - a. Visera para intemperie
 - b. Caja de montaje sobrepuesto con visera
 - c. Caja de montaje sobrepuesto

*Si desea información detallada sobre el montaje de paneles y módulos que no sean el GT-AC, consulte el manual de instalación y operación de GF, GH o GT.



MÉTODO DE MONTAJE/CABLEADO, DISTANCIA DE CABLEADO



(Distancia de cableado)

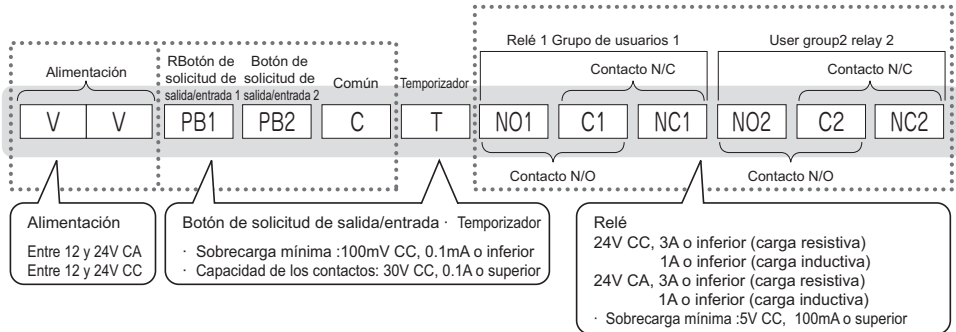
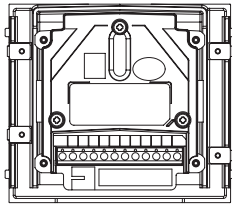
	Alimentación	diámetro 0,65 - 1,0 mm
A	CA/CC12 ~ 18V (Inferior a)	100m
	CA/CC18 ~ 24V	300m
B	-	300m
C	-	300m
D	La distancia de conexión depende de las especificaciones de la cerradura eléctrica, los relés o los seguros electromagnéticos que se vayan a instalar. Para determinar el rango operativo, consulte las especificaciones de cada terminal.	

(*1) Utilice una fuente de alimentación diferente para GT-AC y no las utilizadas en el sistema.

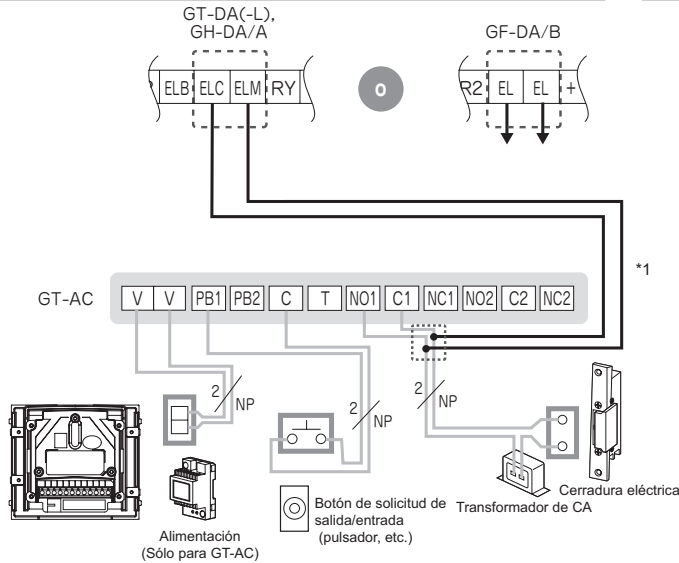
(*2) Pueden activarse dos relés desde GT-AC. Sin embargo, sólo puede activarse un relé desde una estación de residencia.

Nombres de los terminales

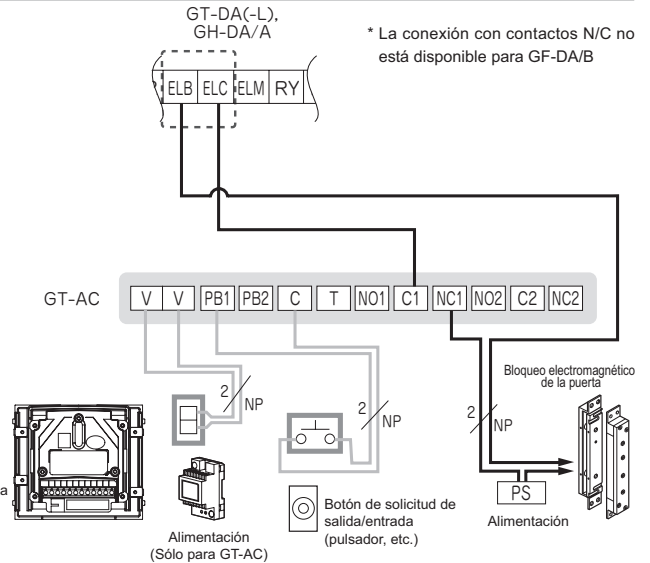
Vista trasera del GT-AC



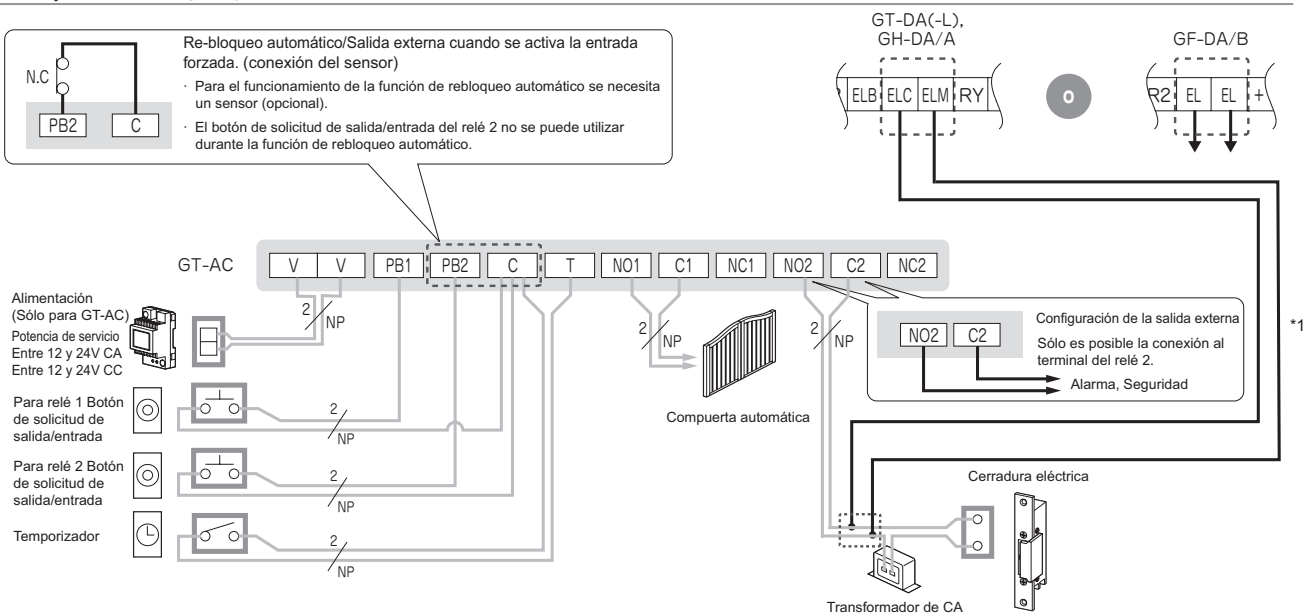
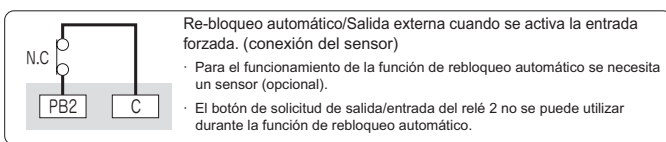
Conexión del Relé 1 (contacto N/O) solamente



Conexión del Relé 1 (contacto N/C) solamente



Relay 1: Automatic gate (N/O contact), Relay 2: Electric door strike (N/O contact)



(*1) El tiempo de funcionamiento del relé de GT-DA(-L), GH-DA/A, GF-DA/B es diferente respecto al de GT-AC.

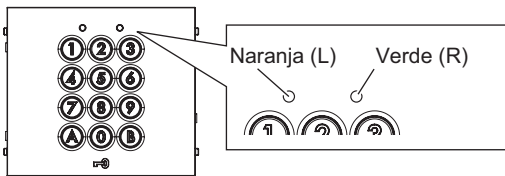
FUNCIONES · CONFIGURACIÓN

En esta sección se explica la configuración de cada función, incluyendo el código maestro para la gestión, el código del usuario para el desbloqueo, el zumbador y los LEDs.
Acerca del modo de configuración:

Introduzca el código maestro dos veces para pasar al modo de configuración, e introduzca el siguiente código de configuración para efectuar la configuración de la función deseada. Después de efectuar la configuración, introduzca los siguientes códigos de configuración para continuar con la configuración. Pulse **(B) para salir del modo de configuración.**

Elementos de configuración	Gama de configuraciones disponibles	Valor predeterminado	Código de configuración
I Configuración de la longitud del código Cambiar la longitud del código maestro y del código de usuario *) Ambos deben tener la misma longitud.	4, 5, o 6 dígitos	4 dígitos	(A) (3)
II Configuración del código maestro Introducir un código maestro de entre 4 y 6 dígitos (alfanuméricos o numéricos) para pasar al modo de configuración. *) El número de dígitos en el código se puede establecer mediante la configuración de la longitud del código.	1 Teclas válidas: 0 - 9, A, B	1234	(A) (4)
III Configuración del código para el grupo de usuarios 1 Configurar el código de desbloqueo para el grupo de usuarios 1 *) El número de dígitos en el código se puede establecer mediante la configuración de la longitud del código.	Número de códigos: 60 Teclas válidas: 0 - 9, A, B	-	(0) (0) - (5) (9)
Configuración del código para el grupo de usuarios 2 Configurar el código de desbloqueo para el grupo de usuarios 2. *) El número de dígitos en el código se puede establecer mediante la configuración de la longitud del código.	Número de códigos: 40 Teclas válidas: 0 - 9, A, B	-	(6) (0) - (9) (9)
IV Configuración del tiempo de encendido de las teclas Configurar el intervalo de tiempo en que permanecen encendidas las teclas después que se pulsan.	Tiempo de encendido: De 10 a 99 segundos, o continuamente encendido	10 Seg.	(A) (0)
V Configuración del tiempo de salida del relé 1 Configurar el tiempo de salida del relé 1.	Tiempo de salida: De 1 a 99 segundos, o con seguro	3 Seg.	(A) (1)
III Configuración del tiempo de salida del relé 2 Configurar el tiempo de salida del relé 2.	Tiempo de salida: De 1 a 99 segundos, o con seguro	3 Seg.	(A) (2)
VI Reiniciar la configuración Poner la configuración con los valores predeterminados.	-	-	(A) (5)
VII Configuración de la salida externa La alarma o el sistema de seguridad conectados al cableado del relé 2 se activan en caso de bloqueo* o entrada forzada*. *Bloqueo: Consulte VIII abajo. *Entrada forzada: Esta función está conectada con el sensor de apertura/cierre de la puerta (N.C.), que está conectado a PB2 y C, y se activa cuando se abre la puerta sin activar esta unidad. (Por ejemplo, entrada de manera impropia, desbloqueo manual, etc.) *) Si existe un modo de abrir la puerta sin activar esta unidad, por ejemplo se puede efectuar un desbloqueo manual, no configure la salida externa para la entrada forzada.	· OFF · Durante el bloqueo · Durante la salida de entrada forzada · Durante el bloqueo y la salida de entrada forzada	OFF	(A) (6)
VIII Bloqueo Si se intentan varios códigos de acceso incorrectos, la función de entrada de código se inhabilita durante un periodo de tiempo programado. · Cuando se activa el "Bloqueo", el LED (Naranja) y el teclado parpadean y el zumbador suena durante 3 segundos. Se trata solamente de un sonido para informarle que la función ha sido activada. No se trata de un sonido de advertencia. Si desea un sonido de advertencia, es necesario adquirir un dispositivo de alarma comercializado para activar la función de salida externa. · La función de desbloqueo se activa cuando se pulsa el botón de solicitud de salida/entrada, aunque esté activa la función de "Bloqueo".	ON/OFF Número de veces no válido De 10 a 99 veces Tiempo no válido De 10 a 99 segundos	OFF	(A) (7)
IX Rebloqueo automático (entrada restringida) Después que la puerta ha sido conectada al sensor de apertura/cierre de la puerta (N/C), y desbloqueada, se vuelve a bloquear un segundo después de haberse cerrado para evitar la entrada de terceros no autorizados. ※) 1	ON/OFF	OFF	(A) (8)
X Configuración del desbloqueo conectado al temporizador El sistema se pueden configurar para desbloquear la puerta pulsando la tecla (0) dentro de un tiempo configurado, en conexión con el temporizador externo (N/O). Las operaciones para los LEDs y el zumbador después del desbloqueo son las mismas utilizadas para efectuar el desbloqueo del código de usuario. Cuando la puerta está conectada al temporizador, el desbloqueo se puede efectuar utilizando el código de usuario y el botón de solicitud de salida/entrada. Cuando se efectúa la salida de cerrojo en la configuración del relé, el relé se pone en ON/OFF cada vez que se pulsa la tecla (0).	Relé conectado: Relé 1 Relé 2 Relé 1 y 2 0 Iluminación de las teclas: ON/OFF	Relé conectado: Relé 1 0 Iluminación de las teclas: OFF	(A) (9)
XI Configuración del tono de operación Poner en ON/OFF el tono que se escucha cuando se utiliza el teclado.	ON/OFF	ON	(A) (A)

- La configuración se puede guardar aún a falta de alimentación.
 - El sistema no se puede pasar al modo de configuración cuando el relé está desbloqueado.
 - Cuando se ha activado el modo de configuración y no se efectúa ninguna operación durante aproximadamente 120 segundos, el sistema abandona el modo de configuración. (Si se pulsa una tecla durante este periodo, el temporizador recomienza.)
 - No se puede operar el botón de solicitud de salida/entrada ni el desbloqueo conectado al temporizador a través de la tecla (0).
 - Tampoco se puede efectuar el desbloqueo utilizando el código de usuario cuando el modo de configuración está activado.
 - El volumen (del tono de comprobación, del tono de operación, etc.) de la unidad principal pudiera bajar en dependencia del montaje.
- ※) 1 : Cuando se usa la función de rebloqueo automático, no se puede utilizar el botón de solicitud de salida/entrada para el relé 2. La salida del relé 2 es posible sólo cuando se efectúa el desbloqueo del código de usuario.



El resultado de cada operación se indica mediante la iluminación de los LEDs en la sección superior de la unidad y mediante el sonido del zumbador.

Introduzca dos veces el código maestro.
(Valor predeterminado: 1 2 3 4 1 2 3 4)

(naranja) (verde)
Iluminación Parpadeo
Tono largo, tono largo

I Configuración de la longitud del código (Valor predeterminado: 4 dígitos) II Configuración del código maestro (Valor predeterminado: 1234) III Configuración del código grupo 1 grupo 2

Introduzca el código de configuración.
A 3

Iluminación Parpadeo
Tono largo

Introduzca el código de configuración.
A 4

Iluminación Parpadeo
Tono largo

00 - 59
Introducción del número del usuario (ej.:01)
0 1

Cuando se selecciona un código de usuario que ya se ha configurado

Iluminación Parpadeo
Tono largo

Iluminación Parpadeo
Tono largo, tono largo

60 - 99
Introducción del número del usuario (ej.:60)
6 0

Cuando se selecciona un código de usuario que ya se ha configurado

Iluminación Parpadeo
Tono largo

Iluminación Parpadeo
Tono largo, tono largo

Introducción de la longitud del código (ej.:5 dígitos) 4, 5, o 6 dígitos
5

Iluminación Parpadeo
Tono

Introducción del nuevo código maestro (ej.:4321)
4 3 2 1

Iluminación Parpadeo
Tono

Introducción del código (ej.:1006)
* Se pueden utilizar los números de 0 a 9 y las letras A y B
1 0 0 6

Iluminación Parpadeo
Tono

Introducción del código (ej.:04B2)
* Se pueden utilizar los números de 0 a 9 y las letras A y B
0 4 B 2

Iluminación Parpadeo
Tono

- Cuando se pulsa la tecla (B), el LED verde se enciende, el zumbador emite un tono doble y el sistema abandona el modo de configuración.
(Si la tecla (B) está incluida en el código de usuario y el código maestro, el sistema no abandona el modo de configuración.)

- Puede continuar la operación de configuración introduciendo un código de configuración arbitrario.

El indicador se apaga Parpadeo
Tono largo, tono largo

- El código establecido se memoriza aunque la longitud del código se haya cambiado. Sin embargo, no se pueden utilizar códigos de diferente longitud.
- Cuando la longitud del código se ha cambiado, el código maestro vuelve al valor predeterminado (si el número de dígitos en el código es 4, 5 o 6, el código maestro es 1234, 12345 o 123456 respectivamente).
- El cambio al modo de configuración se puede efectuar durante el desbloqueo conectado al temporizador. Sin embargo, si se incluye "0" en el código maestro, la puerta se desbloquea y no es posible pasar al modo de configuración.
- El mismo código no se puede establecer como código de usuario y código maestro (el código configurado precedentemente tiene prioridad).
- No configure códigos simples como 1111.
- Recomendamos que cambie el código maestro predeterminado.
- Para invalidar el código de usuario configurado, pulse 0000 (cuando se utilizan 4 dígitos), 00000 (cuando se utilizan 5 dígitos), o 000000 (cuando se utilizan 6 dígitos). Los números de código que contienen sólo "0" no se pueden configurar como códigos de usuario.
- Debido a que el código maestro preconfigurado es 1234 (cuando se utilizan 4 dígitos), 12345 (cuando se utilizan 5 dígitos) y 123456 (cuando se utilizan 6 dígitos), estos números no se pueden utilizar como códigos de usuario.
- No configure códigos simples como 1111.
- * **El mismo código no se puede configurar como código de usuario y código maestro. El código configurado precedentemente tiene prioridad.**

Introduzca dos veces el código maestro.
(Valor predeterminado: 1 2 3 4 1 2 3 4)

(naranja) (verde)
Iluminación Parpadeo
Tono largo, tono largo

IV Configuración del tiempo de encendido de las teclas
(Valor predeterminado: 10 Seg.)

V Configuración del tiempo de salida del relé
(Valor predeterminado: 3 Seg.)

VI Reiniciar la configuración

VII Ajuste de la salida externa
(Valor predeterminado: OFF)

Introduzca el código de configuración.

A 0

Iluminación Parpadeo
Tono largo

Quando se configura el relé 1 Quando se configura el relé 2

Introduzca el código de configuración. Introduzca el código de configuración.

A 1 A 2

Iluminación Parpadeo
Tono largo

Introduzca el código de configuración.

A 5

Iluminación Parpadeo
Tono largo

Introduzca el código de configuración.

A 6

Iluminación Parpadeo
Tono largo

Introducción del tiempo de encendido
(ej.:20 segundos)
10 - 99

El indicador se enciende siempre: 00

2 0

Iluminación Parpadeo
Tono

Introducción del tiempo de salida del relé
(ej.:99 segundos)
01 - 99

Con seguro: 00

9 9

Iluminación Parpadeo
Tono

1 2 3

Iluminación Parpadea tres veces
Tono largo, tono largo, tono

Durante el bloqueo Durante la salida de entrada forzada Durante el bloqueo y la salida de entrada forzada OFF

1 2 3 0

Iluminación Parpadeo
Tono

- Cuando se pulsa la tecla (B), el LED verde se enciende, el zumbador emite un tono doble y el sistema abandona el modo de configuración.
(Si la tecla (B) está incluida en el código de usuario y el código maestro, el sistema no abandona el modo de configuración.)

- Puede continuar la operación de configuración introduciendo un código de configuración arbitrario.

El indicador se apaga Parpadeo
Tono largo, tono largo

- Si se ha activado el estado con seguro y la puerta se desbloquea, no se bloqueará de nuevo hasta que no se introduzca el código de usuario (o se pulse el botón de solicitud de salida/entrada, o se pulse la tecla (0) cuando está activado el desbloqueo conectado al temporizador).
- Cuando la puerta se desbloquea durante la salida de relé (incluyendo cuando está con seguro), el sistema no puede pasar al modo de configuración.
- Si se desconecta la alimentación y se pulsán simultáneamente las teclas (1), (2) y (3), con el estado de entrada 1 de desbloqueo activado (cortocircuito entre los terminales PB1 y C), se pueden reconfigurar los valores predeterminados reconectando la alimentación y pulsando simultáneamente durante 3 segundos las teclas (1), (2) y (3).
- Cuando configure la salida externa, no configure la salida de relé 2 para seguro.

Introduzca dos veces el código maestro.
(Valor predeterminado: **1 2 3 4 1 2 3 4**)

VIII Bloqueo (Valor predeterminado: OFF)	IX Rebloqueo automático (entrada restringida) (Valor predeterminado: OFF)	X Configuración del desbloqueo conectado al temporizador (Valor predeterminado: relé 1, OFF)	XI Configuración de los sonidos de operación (Valor predeterminado: ON)
--	---	--	---

Introduzca el código de configuración. A 7	Introduzca el código de configuración. A 8	Introduzca el código de configuración. A 9	Introduzca el código de configuración. A A
Iluminación Parpadeo Tono largo	Iluminación Parpadeo Tono largo	Iluminación Parpadeo Tono largo	Iluminación Parpadeo Tono largo

OFF ON	OFF ON	Relés 1 y 2 conectados Sólo relé 1 conectado Sólo relé 2 conectado	Tono de operación OFF Tono de operación ON
0 1	0 1	0 1 2	0 1
Iluminación Parpadeo Tono	Iluminación Parpadeo Tono	Iluminación Parpadeo Tono largo	Iluminación Parpadeo Tono

Introducción del número de operaciones (ej.:10 veces)
1 0
10 -99

Iluminación Parpadeo
Tono largo

Introducción del intervalo de tiempo en modo "Bloqueo" (Ej.: 10 segundos)
1 0
10 - 99

Iluminación Parpadeo
Tono

Encendido de la tecla 0 OFF con temporizador activado
Encendido de la tecla 0 ON con temporizador activado

0 1

Iluminación Parpadeo
Tono

- Cuando se pulsa la tecla **B**, el LED verde se enciende, el zumbador emite un tono doble y el sistema abandona el modo de configuración.
(Si la tecla **B** está incluida en el código de usuario y el código maestro, el sistema no abandona el modo de configuración.)

- Puede continuar la operación de configuración introduciendo un código de configuración arbitrario.

- Cuando el tiempo de salida de relé 1 se configura como salida con seguro, la función de rebloqueo automático está inhabilitada.
- Cuando la función de rebloqueo automático se activa, la función de desbloqueo del botón de solicitud de salida/entrada del relé 2 está inhabilitada.
- Si la función de encendido de la tecla 0 se activa cuando el temporizador está activado, la tecla 0 se enciende aunque la "configuración del intervalo de encendido de la tecla" esté en "Indicador continuamente encendido".

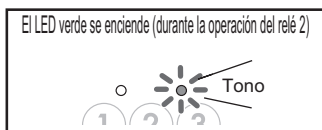
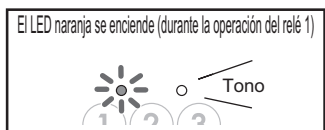
OPERACIONES

A. Desbloqueo del código de usuario

Cuando el código de usuario registrado se introduce a través del teclado (entre 4 y 6 dígitos), el LED (grupo 1: naranja, grupo 2: verde) se enciende, el zumbador suena y la cerradura eléctrica se desbloquea.

ej.): grupo 1
1006

grupo 2
04B2



- El intervalo de tiempo durante el que se debe pulsar el botón es de aproximadamente 10 segundos. Si el intervalo de tiempo excede aproximadamente 10 segundos, el valor de entrada se borra.
- Si se equivoca al introducir el código de usuario, repita la operación.
- Cuando se ha configurado la función de "Bloqueo", la función de liberación se bloquea y la operación entrada se inhabilita durante un tiempo especificado (10 ~ 99 segundos) si se introducen códigos no válidos un número de veces configurado (10 ~ 99 veces). (Referencia: "Bloqueo".) Durante este intervalo de tiempo, las teclas parpadean 4 veces, el LED (naranja) parpadea durante el tiempo de desactivación configurado y el zumbador suenan durante aproximadamente 3 segundos.

B. Desbloqueo conectado al temporizador

Cuando la función de desbloqueo conectado al temporizador está activada, la puerta se puede desbloquear pulsando la tecla **(0)** durante el tiempo establecido mientras que el temporizador esté conectado. El encendido de la tecla **(0)** se activa mientras el temporizador ha activado éste durante la configuración.

C. Desbloqueo utilizando el botón de solicitud de salida/entrada

Cuando salga, puede activar la cerradura eléctrica pulsando el botón de solicitud de salida/entrada conectado a la unidad. Cuando se pulsa el botón de solicitud de salida/entrada 1, se libera el relé 1 y cuando se pulsa el botón de solicitud de salida/entrada 2, se libera el relé 2.

- Cuando se desbloquee a la puerta utilizando el botón de solicitud de salida/entrada, el LED no se enciende y el zumbador no suena.

PRECAUCIONES TÉCNICAS

- Temperatura de operación : Entre -10°C y 60°C (14°F to 140°F)
- Limpieza: Limpie la unidad con un paño suave humedecido con un producto de limpieza neutro. No utilice limpiadores ni paños abrasivos.
- La unidad es resistente a la intemperie. Sin embargo, no

debe rociar agua a alta presión directamente en el teclado del control de acceso. Demasiada humedad puede causar problemas a la unidad.

- Presione y suelte las teclas **(7)**, **(0)**, **(B)**, y **(B)** simultáneamente cuando la unidad no esté funcionando. ※) Los LEDs (naranja y verde) parpadean, el zumbador suena y se efectúa el reinicio. (Con esto no se configuran los valores predeterminados.)
- Si el reinicio no funciona, contacte al técnico que montó la unidad.

ESPECIFICACIONES

- Alimentación : 12 - 24V CA
12 - 24V CC
- Consumo: CC: Máx. 70mA
CA: Máx. 100mA
- Dimensiones: 95.2(H) × 110(A) × 29.3(P)mm
- Peso: aprox. 330g
- Número de circuitos de relé: 2
- Contacto de relé: N/O, N/C
- Capacidad de los contactos de relé: 24V CC, 3A (carga resistiva)
1A (carga inductiva)
24V CA, 3A (carga resistiva)
1A (carga inductiva)

GARANTÍA

Aiphone garantiza que sus productos están libres de defectos de material y mano de obra, en uso y mantenimiento normal, por un período de dos años después de la entrega final al último usuario y reparará sin costo, o reemplazará sin cargo, si llegara a resultar defectuoso, mediante una inspección que determine que efectivamente está con defecto y en garantía. Aiphone se reserva para sí la facultad única de tomar la decisión final sobre si existe una falla en materiales y/o mano de obra, y si acaso el producto está o no cubierto dentro de la garantía. Esta garantía no se aplicará a ningún producto Aiphone que haya sido sometido a maltrato, negligencia, accidente, o usado de manera diferente a las instrucciones proporcionadas, o bien a unidades las cuales hayan sido arregladas o alteradas fuera de fábrica. Esta garantía no ampara baterías o el deterioro causado por baterías usadas en conjunto con el producto. La garantía cubre solo las reparaciones efectuadas en el mesón de trabajo y cualquier reparación debe ser efectuada en el taller o lugar designado por escrito por Aiphone. Aiphone no se responsabilizará por costos incurridos en cualquier llamada de servicio al sitio mismo en que se presente el defecto. Aiphone no indemnizará por ninguna pérdida o daño en que se incurra debido a la avería o falla de sus productos durante su uso, ni por ningún inconveniente o pérdida que se produzca como consecuencia.

VOORZORGSMAATREGELEN

- ⊘ Algemeen verbod ⊘ Verbod het toestel te demonteren
- Ⓛ Algemene voorzorgsmaatregelen

⚠ WAARSCHUWING

(niet-naleving kan de dood of ernstig lichamelijk letsel veroorzaken)

- ⊘1. Sluit enkel de opgegeven voedingsbron aan op de aansluitingen +, -, en plaats geen twee voedingen parallel. Dit kan brand, schade aan het toestel of systeemstoringen veroorzaken..
- ⊘2. Het toestel is niet explosieveilig. Installeer of gebruik het niet in de buurt van gasen of ontvlambare materialen. Dit kan brand of een explosie veroorzaken.
- Ⓛ3. Demonteer of verander het toestel niet. Dit kan brand of een elektrische schok veroorzaken.
- ⊘4. Het toestel moet worden geïnstalleerd en aangesloten door een vakman.

⚠ OPGELET

(niet-naleving kan lichamelijk letsel of materiële schade veroorzaken)

- Ⓛ1. Wanneer het toestel op een muur wordt gemonteerd, dient dit te gebeuren op een geschikte plaats, waar geen personen of voorwerpen er tegenaan kunnen stoten of schuren. Dit kan lichamelijk letsel veroorzaken.
- Ⓛ2. Controleer of de draden niet gekruist of kortgesloten zijn voordat u de stroom inschakelt. Dit kan brand of een elektrische schok veroorzaken.
- Ⓛ3. Controleer of de draden niet gekruist of kortgesloten zijn voordat u de stroom stroom inschakelt. Zo niet kan brand of een elektrische schok ontstaan.

- ⊘4. Installeer het toestel niet op één van de volgende plaatsen. Dit kan brand, een elektrische schok of storing van het toestel veroorzaken.
 - * Op een plaats met veel stof, olie of chemische producten.
 - * Op plaatsen die onderhevig zijn aan hoge vochtigheid, bijvoorbeeld badkamers, kelders, serres enz.
 - * Op plaatsen waar de temperatuur erg laag is, zoals in een koelzone of voor de airconditioning.
 - * Op plaatsen die blootstaan aan stoom of rook (nabij verwarmingstoestellen of kookfornuizen).
 - * Wanneer toestellen die ruis genereren, bijvoorbeeld dimmerschakelaars, elektrische toestellen met gelijkstroom-wisselstroomomzetter, in de omgeving staan.

ALGEMENE VOORZORGSMAATREGELEN

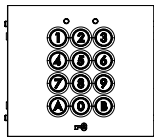

1. Dit toestel is een controle-eenheid voor deurontgrendeling, maar is niet bedoeld voor inbraakpreventie.
2. Hoewel de buitenpost weerbestendig is, mag u er geen hogedrukwaterstraal op richten. Dit kan een storing van het toestel veroorzaken.
3. Het toestel werkt niet tijdens een stroomonderbreking.
4. Wat toestellen van andere fabrikanten betreft (zoals sensoren, detectoren en deursloten) die bij dit systeem worden gebruikt, dient u de desbetreffende technische gegevens en garantievoorwaarden van de fabrikant of de leverancier op te volgen.
5. Houd de signaaldraden meer dan 30 cm verwijderd van de draden van de netvoeding (100-240 V) en voornamelijk van de elektrische leidingen van niet-lineaire belastingen.

INHOUD

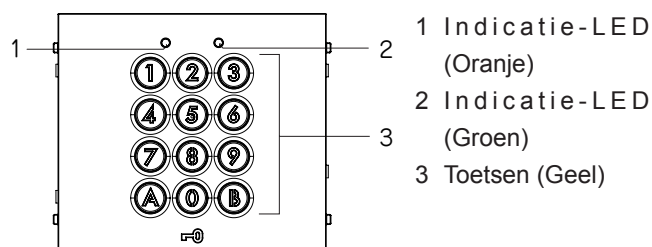
LIJST MET GEPROGRAMMEERDE INSTELLINGEN EN CODES ...	2
VOORZORGSMAATREGELEN.....	35
INHOUD VERPAKKING	35
NAMEN	35
MONTAGE.....	36
BEKABELING & AANSLUITING	36

FUNCTIES•PROGRAMMERING	38
BEDIENING	42
TECHNISCHE VOORZORGEN.....	42
SPECIFICATIES	42
GARANTIE	42

INHOUD VERPAKKING

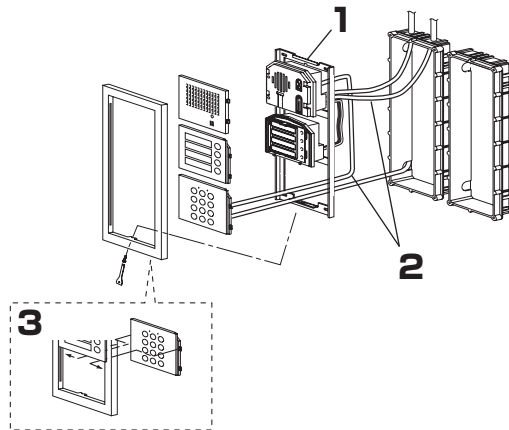
Eenheid	Installatie & gebruikshandleiding
	

NAMEN



MONTAGE

In onderstaande afbeeldingen wordt het GH-systeem gebruikt.



1. Bevestig de montagesteun aan de inbouwdoos (of de opbouwbehuizing).

2. Sluit de draden op de eenheid aan.

3. Klik de GT-AC in het frame.

- Steek de GT-AC langs de achterkant in het montageframe.

- Duw de lipjes aan beide zijden in de gleuven.

4. Opties

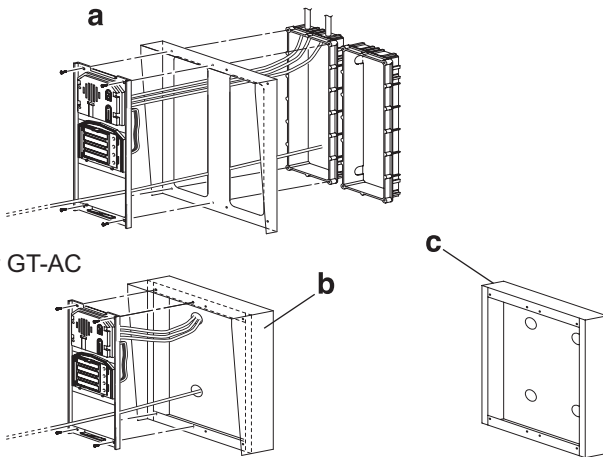
a. Regenkap

b. Opbouwmontagedoos met regenkap

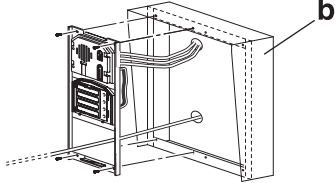
c. Opbouwmontagedoos

*Voor meer informatie over het monteren en aansluiten van andere modules dan GT-AC, zie GF, GH of GT Installatie- en bedieningshandleiding.

4

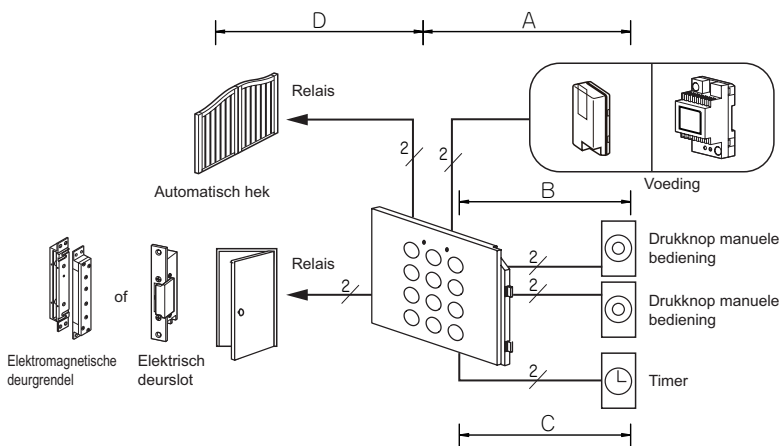


Naar GT-AC



Naar GT-AC

BEKABELING & AANSLUITING



(Afstand bedrading)

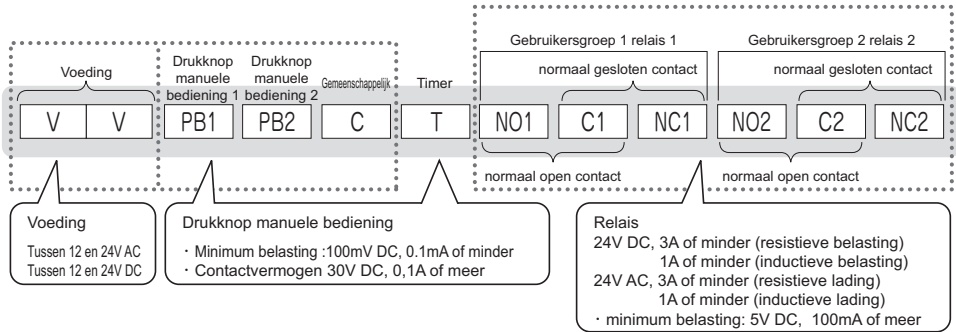
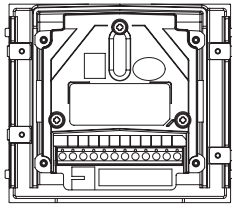
	Voeding	diameter 0,65 - 1,0 mm
A	AC/DC12 ~ 18V (Minder dan)	100m
	AC/DC18 ~ 24V	300m
B	-	300m
C	-	300m
D	De aansluitafstand zal afhankelijk zijn van het verbruik van het elektrisch deurslot, relais of de elektromagnetische deurgrendel die aangesloten moet worden. Om het werkingsspectrum te bepalen, raadpleeg de resp. specificaties.	

(*1) Gebruik een afzonderlijke voeding voor de GT-AC (niet de voeding van het -systeem gebruiken).

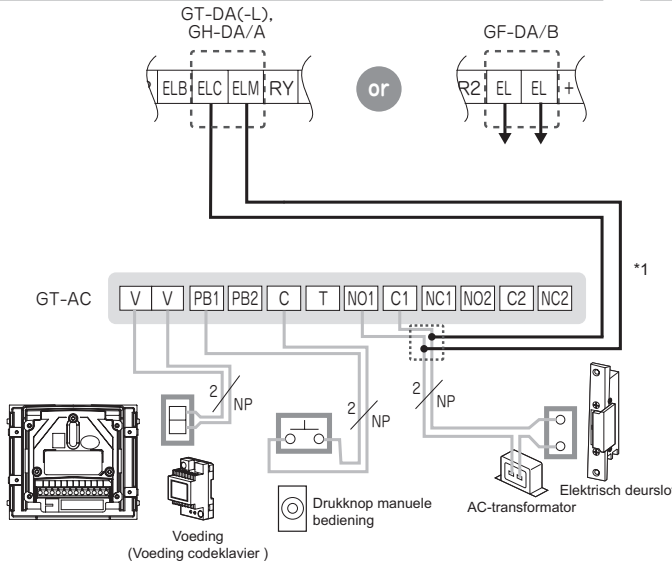
(*2) Het codeklavier heeft twee relaiscontacten; los van het parlofoniesysteem.

Aansluitklemmen

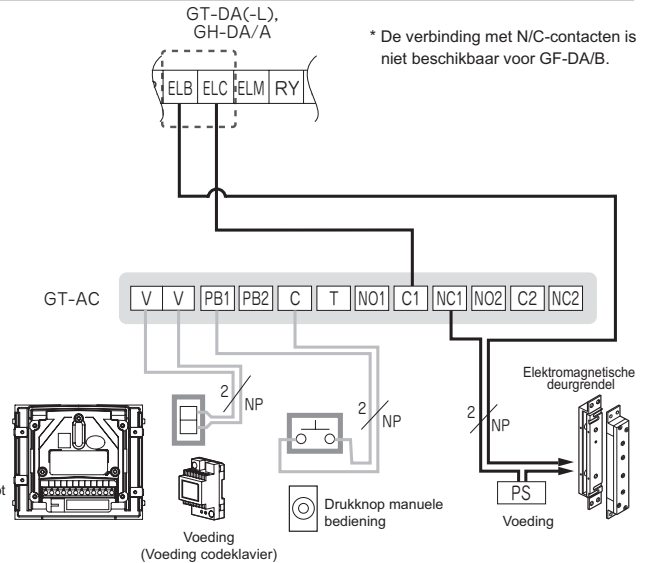
Achteraanzicht GT-AC



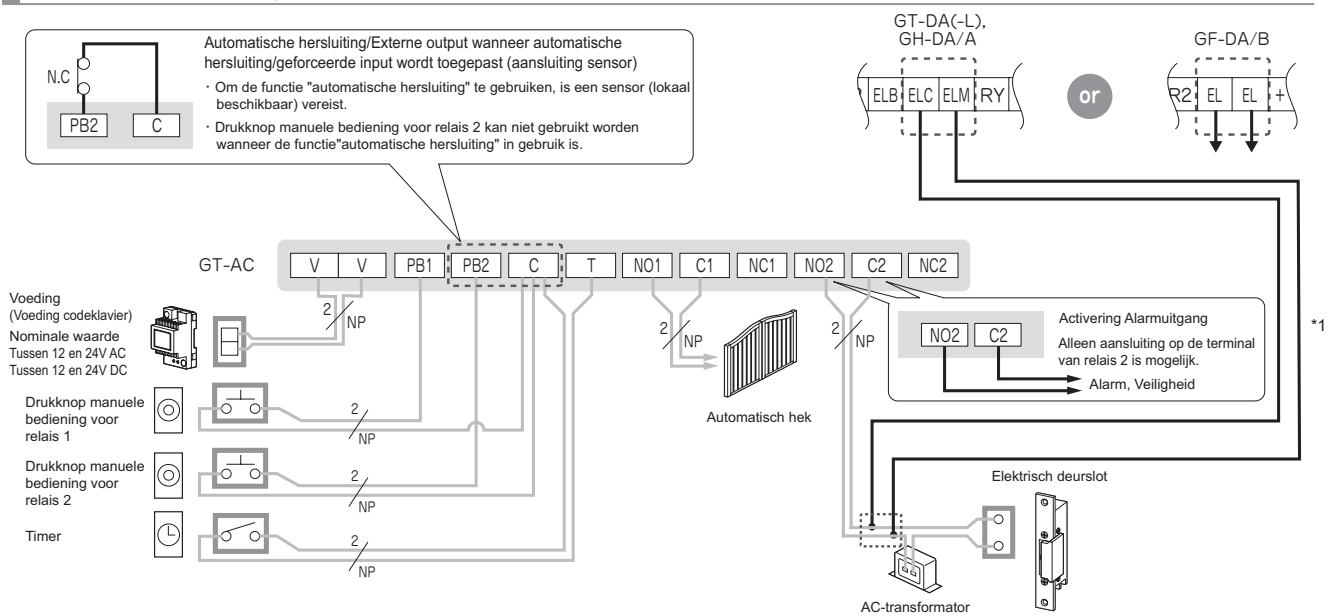
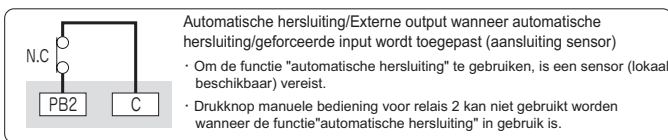
Aansluitvoorbeeld met relais 1 (normaal open)



Aansluitvoorbeeld met relais 1 (normaal gesloten)



Relais 1: Automatisch hek (N/O-contact), Relais 2: Elektrisch deurslot (N/O-contact)



(*1) De relais-aansprektijd van GT-DA(-L), GH-DA/A, GF-DA/B verschilt van die van GT-AC.

FUNCTIES • PROGRAMMERING

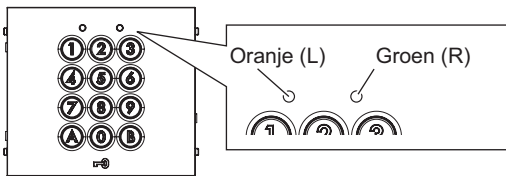
In dit deel wordt uitleg gegeven bij de instellingen van elke functie, inclusief de hoofdcode voor het beheer, de gebruikerscode voor de ontgrendeling, de zoemer en de LEDs.

Over de instelmodus:

Voer de hoofdcode tweemaal in om over te schakelen op de instelmodus en voer het adres in voor instellingen van de gewenste functie. Voer de gewenste waarde in en ga verder met het volgende te programmeren adres of druk op **(B) om de instelmodus te verlaten.**

Instelling	Toegelaten instelbereik	Standaardwaarde	Adres
I Instelling codelengte Verander de lengte van de hoofdcode en de gebruikerscodes. *)De lengte van beiden moet gelijk zijn.	4, 5, of 6 cijfers	4 cijfers	(A) (3)
II Instelling hoofdcode Voer een hoofdcode in van 4 tot 6 cijfers (alfanumeriek of numeriek). *) Het aantal cijfers van de code kan ingesteld worden door de codelengte in te stellen.	1 Geldige toetsen: 0 - 9, A, B	1234	(A) (4)
III Toegangscode voor gebruikers in groep 1 Stel de ontgrendelingscode in voor de gebruikers in groep 1. *) Het aantal cijfers van de code kan gekozen worden door de codelengte in te stellen.	Aantal codes: 60 Geldige toetsen: 0 - 9, A, B	-	(0) (0) - (5) (9)
Toegangscode voor gebruikers in groep 2 Stel de ontgrendelingscode in voor de gebruikers in groep 2. *) Het aantal cijfers van de code kan gekozen worden door de codelengte in te stellen.	Aantal codes: 40 Geldige toetsen: 0 - 9, A, B	-	(6) (0) - (9) (9)
IV Instelling verlichtingsduur klavier Stel de duurtijd in voor de automatische verlichting van het klavier.	Verlichtingstijd: 10 tot 99 seconden, of permanent	10 Sec.	(A) (0)
V Instelling schakeltijd relais 1 Stel de outputtijd van relais 1 in.	Outputtijd: 1 tot 99 seconden, of bistabiel	3 Sec.	(A) (1)
III Instelling schakeltijd relais 2 Stel de outputtijd van relais 2 in.	Outputtijd: 1 tot 99 seconden, of bistabiel	3 Sec.	(A) (2)
VI Reset Instellingen. Herstel de standaardwaarde van alle instellingen.	-	-	(A) (5)
VII Activering Alarmuitgang Het alarm- of veiligheidssysteem aangesloten op de bedrading van relais 2 wordt geactiveerd wanneer de blokkering klavier* of de geforceerde input* wordt uitgevoerd. *Blokking klavier: Raadpleeg VIII hieronder. *Geforceerde input: Deze functie is verbonden met de sensor opening/sluiting deur (N.C.) die is aangesloten op PB2 en C, en wordt uitgevoerd bij het openen van de deur zonder deze eenheid te activeren. (Bijvoorbeeld, input op onjuiste wijze, handmatig ontgrendelen, etc.) *) Als er een manier is om de deur te openen zonder deze eenheid te activeren, zoals handmatig ontgrendelen, niet de externe output instellen voor de geforceerde input.	· UIT · Bij blokkering klavier · Bij geforceerde toegang · Bij blokkering klavier en geforceerde toegang	UIT	(A) (6)
VIII Blokkering klavier Bij invoer van meerdere opeenvolgende foutieve codes, kan het klavier geblokkeerd worden gedurende een geprogrammeerde periode. · Wanneer "Blokking" geactiveerd is, zullen de LED (Oranje) en het toetsenbord knipperen, en zal de zoemer 3 seconden lang te horen zijn. Dit geluid is alleen bedoeld om u te informeren dat de functie ingeschakeld is. Het gaat niet om een alarmsignaal. Hiervoor kan de alarmuitgang gebruikt worden om een externe alarminrichting te activeren. · De "drukknop manuele bediening" werkt steeds, zelfs wanneer het klavier geblokkeerd is.	AAN/UIT Aantal toegelaten pogingen 10 tot 99 keer Blokkingstijd klavier 10 tot 99 seconden	UIT	(A) (7)
IX Automatische hersluiting Een deur die voorzien is van een status-sensor "open/gesloten" (N/C) zal nadat ze open is geweest en opnieuw werd gesloten vanzelf weer vergrendeld worden een seconde na de sluiting. Dit om te voorkomen dat onbevoegde personen zouden binnentreden. ※)1	AAN/UIT	UIT	(A) (8)
X Tijdsgebonden ontgrendeling Het systeem kan ingesteld worden om de deur te ontgrendelen door te drukken op de toets (0) binnen de op een externe timer ingestelde tijd (aangesloten op ingang externe timer, N/O contact). De werking van de LEDs en de zoemer is dezelfde als die gebruikt voor de ontgrendeling via toegangscode. Buiten de ingestelde tijden, kan de deur ontgrendeld worden met behulp van de gebruikerscode en de drukknop "manuele bediening". Wanneer bistabiele modus werd geselecteerd (schakeltijd relaiscontact=0), gaat het relais telkens omschakelen tussen AAN en UIT wanneer op de toets (0) gedrukt wordt.	Toegewezen relais: Relais 1 Relais 2 Relais 1 en 2 Verlichting 0-toets: AAN/UIT	Toegewezen relais: Relais 1 Verlichting 0-toets: UIT	(A) (9)
XI Geluidssignalen klavier Zet het geluidssignaal bij bediening van het klavier AAN/UIT	AAN/UIT	AAN	(A) (A)

- De instellingen blijven bewaard, zelfs wanneer de voedingsspanning wegvalt.
 - Het systeem kan niet overschakelen op de instelmodus terwijl de relais geschakeld wordt.
 - Wanneer in instelmodus gedurende ongeveer 120 seconden geen enkele handeling verricht wordt, zal het systeem automatisch de instelmodus verlaten.
 - Zolang de instelmodus actief is, kunnen de relais niet geactiveerd worden met de drukknop "manuele bediening" of met de toets (0) bij tijdsgebonden ontgrendeling of met een toegangscode.
 - Het volume (de controletoon, zoemer klavier, etc.) afkomstig van de hoofdeenheid kan lager worden al naargelang de montagetoeestand.
- 38 ※ 1 : Wanneer de automatische hersluiting wordt gebruikt, kan het verzoek aan de drukknop manuele bediening voor relais 2 niet worden gebruikt. De uitgang van relais 2 is alleen mogelijk wanneer ontgrendeling gebruikerscode wordt uitgevoerd.



Elke handeling wordt bevestigd d.m.v. indicatie-LEDs en de ingebouwde zoemer.

Voer de hoofdcode tweemaal in.
(Standaard: 1 2 3 4 1 2 3 4)

(oranje) Groene LED Knipperend (groen) Knipperend
Biep, biep

I Instelling codelengte (Standaard: 4cijfers) | **II Instelling hoofdcode (Standaard: 1234)** | **III Instelling toegangscode groep 1** | **groep 2**

Voer het adres in:
A 3

Groene LED Knipperend
Biep

Voer het adres in:
A 4

Groene LED Knipperend
Biep

00 - 59
Invoeren gebruikersnummer (vb.:01)
0 1

Indien de toegangscode reeds in gebruik is:
Groene LED Knippert tweemaal
Biep, biep

Groene LED Knipperend
Biep

60 - 99
Invoeren gebruikersnummer (vb.:60)
6 0

Indien de toegangscode reeds in gebruik is:
Groene LED Knippert tweemaal
Biep, biep

Groene LED Knipperend
Biep

Invoeren codelengte (vb.:5 cijfers) 4, 5, of 6 cijfers
5

Groene LED Knipperend
Biep

Invoeren nieuwe hoofdcode (vb.:4321)
4 3 2 1

Groene LED Knipperend
Biep

Invoeren code (vb.:1006)
* De cijfers 0 - 9 en letters A en B zijn bruikbaar
1 0 0 6

Groene LED Knipperend
Biep

Invoeren code (vb.:04B2)
* De cijfers 0 - 9 en letters A en B zijn bruikbaar
0 4 B 2

Groene LED Knipperend
Biep

- Om de instelmodus te verlaten: druk op toets **B**. De groene LED licht op en de zoemer piept ter bevestiging.
(Als de **B**-toets opgenomen is in de gebruikerscode en de mastercode, zal het systeem de instelmodus niet verlaten).

- De instelprocedure kan verder gezet worden door het invoeren van een willekeurig adres.

De indicator gaat uit Knipperend
Biep, biep

- De ingestelde code wordt bewaard in het geheugen, zelfs wanneer de codelengte gewijzigd wordt. Codes met een verschillende lengte kunnen evenwel niet gebruikt worden.
- Wanneer de codelengte gewijzigd werd, schakelt de mastercode terug over op de defaultwaarde (als het aantal cijfers in de code 4, 5, of 6 is, is de mastercode respectievelijk 1234, 12345, of 123456).
- Merk op dat de overschakeling op de instelmodus kan plaatsvinden tijdens de tijdsgebonden ontgrendeling. Als "0" evenwel opgenomen is in de mastercode, zal de deur ontgrendeld worden en zal de overschakeling op de instelmodus niet kunnen plaatsvinden.
- Dezelfde code kan niet ingesteld worden voor zowel de gebruikerscode als de mastercode. De eerder ingestelde code heeft voorrang.
- Stel geen eenvoudige codes in, zoals 1111.
- Wij raden aan de standaardhoofdcode te wijzigen.
- Om een ingestelde toegangscode te wissen, voer 4, 5 of 6x 0 in (0000 wanneer 4 cijfers gebruikt worden, 00000 wanneer 5 cijfers gebruikt worden, of 000000 wanneer 6 cijfers gebruikt worden). Toegangscode die alleen "0" bevatten kunnen niet geprogrammeerd worden.
- Gezien de fabrieksinstelling voor de hoofdcode 1234(5)(6), kunnen 1234 (wanneer 4 cijfers gebruikt worden), 12345 (wanneer 5 cijfers gebruikt worden), en 123456 (wanneer 6 cijfers gebruikt worden) niet ingesteld worden als toegangscode.
- Stel geen eenvoudige codes in, zoals 1111.
- * Dezelfde code kan niet ingesteld worden voor zowel de gebruikerscode als de hoofdcode. De eerder ingestelde code heeft voorrang.**

Voer de hoofdcode tweemaal in.
(Standaard: 1 2 3 4 1 2 3 4)

IV Instelling verlichtingsduur klavier (Standaard: 10Sec.) | **V Instelling schakeltijd relais (Standaard: 3 Sec.)** | **VI Reset Instellingen.** | **VII Activering Alarmuitgang (Standaard: UIT)**

IV Voer het adres in: **A 0**
Groene LED Knipperend
Biep

V Voorrelais 1 Voer het adres in: **A 1** Voorrelais 2 Voer het adres in: **A 2**
Groene LED Knipperend
Biep

VI Voer het adres in: **A 5**
Groene LED Knipperend
Biep

VII Voer het adres in: **A 6**
Groene LED Knipperend
Biep

IV Invoeren verlichtingsduur (vb.:20 seconden) 2 0
10 - 99
Voor permanente verlichting:
Groene LED Knipperend
Biep

V Invoeren schakeltijd relais (vb.:99 seconden) 9 9
01 - 99
Voor bistabiele werking:
Groene LED Knipperend
Biep

VI 1 2 3
Groene LED Knippert driemaal
Biep, beep, beep

VII 1 2 3 0
Groene LED Knipperend
Biep

Bij blokkering klavier Bij geforceerde toegang Bij blokkering klavier en geforceerde toegang UIT

- Om de instelmodus te verlaten: druk op toets **B**. De groene LED licht op en de zoemer piept ter bevestiging.
(Als de **B**-toets opgenomen is in de gebruikerscode en de mastercode, zal het systeem de instelmodus niet verlaten).
- De instelprocedure kan verder gezet worden door het invoeren van een willekeurig adres.

- Bij bistabiele werking blijft het relaiscontact in de laatste positie tot opnieuw een geldige toegangscode ingevoerd wordt (of op de drukknop "manuele bediening" gedrukt wordt, of op de **0**-toets gedrukt wordt wanneer de tijdsgebonden ontgrendeling ingesteld is).
- Wanneer een relais geschakeld wordt (ook bij bistabiele modus), kan het systeem niet overschakelen op de instelmodus.
- Om de standaardwaarden opnieuw in te stellen (reset): schakel de spanning uit, maak een kortsluiting tussen PB1 en C en schakel de spanning opnieuw in terwijl u toetsen **1**, **2** en **3** ingedrukt houdt gedurende 3 seconden.
- Indien de alarmuitgang-functie (relais 2) geselecteerd werd, stel de schakeltijd voor relais 2 dan niet in op 0 (bistabiele werking).

Voer de hoofdcode tweemaal in.
(Standaard: 1 2 3 4 1 2 3 4)

(oranje) Groene LED Knipperend
(groen) Groene LED Knipperend
Biep, biep

VIII Blokkering klavier (Standaard: UIT)
IX Automatische hersluiting (Standaard: UIT)
X Tijdsgebonden ontgrendeling (Standaard: relais 1, UIT)
XI Geluidssignalen klavier (Standaard: AAN)

Voer het adres in:
A 7
Groene LED Knipperend
Biep

Voer het adres in:
A 8
Groene LED Knipperend
Biep

Voer het adres in:
A 9
Groene LED Knipperend
Biep

Voer het adres in:
A A
Groene LED Knipperend
Biep

UIT AAN
0 1
Groene LED Knipperend
Biep

UIT AAN
0 1
Groene LED Knipperend
Biep

Actief voor relais 1 & 2 Actief voor relais 1 Actief voor relais 2
0 1 2
Groene LED Knipperend
Biep

geluidssignaal klavier: UIT geluidssignaal klavier: AAN
0 1
Groene LED Knipperend
Biep

Invoeren aantal handelingen (vb.: 10 keer)
10 - 99
1 0
Groene LED Knipperend
Biep

Invoeren duurtijd "Blokkering klavier" (vb.: 10 seconden)
10 - 99
1 0
Groene LED Knipperend
Biep

Verlichting toets 0 bij tijdsgebonden ontgrendeling: UIT Verlichting toets 0 bij tijdsgebonden ontgrendeling: AAN
0 1
Groene LED Knipperend
Biep

- Om de instelmodus te verlaten: druk op toets **B**. De groene LED licht op en de zoemer piept ter bevestiging.
(Als de **B**-toets opgenomen is in de gebruikerscode en de mastercode, zal het systeem de instelmodus niet verlaten).
- De instelprocedure kan verder gezet worden door het invoeren van een willekeurig adres.

De indicator gaat uit Knipperend
Biep, biep

- Wanneer bistabiele werking is geselecteerd voor relais 1 (schakeltijd = 0), kan de functie "automatische hersluiting" niet geactiveerd worden.
- Wanneer de functie "automatische hersluiting" geactiveerd is, kan de "drukknop manuele bediening" voor relais 2 niet worden gebruikt.
- Als de functie verlichting 0-toets AAN staat bij tijdsgebonden ontgrendeling, zal alleen de verlichting van de 0-toets oplichten, zelfs wanneer de instelling "verlichtingsduur klavier" ingesteld is op "permanent".

English
Français
Deutsch
Español
Nederlands

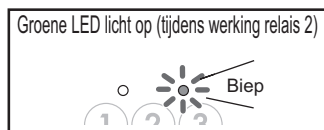
BEDIENING

A. Ontgrendelen d.m.v. toegangscode

Wanneer een geldige toegangscode ingegeven wordt, zal de resp. LED (groep 1: oranje, groep 2: groen) oplichten, zal de zoemer biepen en wordt het relaiscontact geschakeld.

vb.):groep 1
1006

groep 2
04B2



- Het tijdsinterval waarbinnen de opeenvolgende toetsen ingedrukt moeten worden, bedraagt ongeveer 10 seconden. Indien deze tijd wordt overschreden, vervallen de vorige ingegeven cijfers.
- Als u zich vergist bij het invoeren van de gebruikerscode, voer die dan opnieuw in.
- Wanneer het klavier is geblokkeerd n.a.v. invoer van een aantal foutieve codes (zie instelling "blokkering klavier") kan het klavier niet bediend worden gedurende de geprogrammeerde tijd (zie instelling "blokkering klavier"). De klavierverlichting knippert 4 maal, de LED (oranje) knippert en de zoemer biept.

B. Tijdsgebonden ontgrendeling

Wanneer de functie tijdsgebonden ontgrendeling actief is, kan de deur ontgrendeld worden door te drukken op de (1) -toets gedurende de ingestelde tijdsduur, wanneer het contact van de externe timer gesloten is.

De (1) -toets zal oplichten wanneer de tijdsgebonden ontgrendeling actief is.

C. Ontgrendelen m.b.v. de drukknop "manuele bediening"

Om de beveiligde zone te verlaten kan de deur of poort geopend worden door te drukken op de extern aan te sluiten drukknop "manuele bediening" voor resp. relais 1 of relais 2.

- Wanneer de deur ontgrendeld wordt met behulp van de drukknop "manuele bediening", zal de LED niet oplichten en de zoemer niet biepen

TECHNISCHE VOORZORGEN

- Werkingstemperatuur: Tussen -10°C en 60°C
- Reiniging: Maak de eenheid schoon met een zachte doek bevochtigd met een neutraal reinigingsproduct. Gebruik geen schurende producten of doeken.
- De eenheid is bestand tegen de weersinvloeden. Spuit evenwel geen water bij hoge druk op het klavier. Overmatig vocht kan problemen veroorzaken met de eenheid.
- Indien het klavier niet meer werkt, druk tegelijk op de toetsen (7), (8), (0) en (B) om een reset uit te voeren.
*)De LEDs (oranje en groen) zullen knipperen en de zoemer zal weerklinken, waarna de reset plaatsvindt. (De geprogrammeerde instellingen blijven behouden).

- Indien het klavier nog steeds niet werkt, contacteer dan uw installateur.

SPECIFICATIES

- Voeding: 12 ~ 24V AC
12 ~ 24V DC
- Verbruik: DC: Max. 70mA
AC: Max. 100mA
- Afmetingen: 95.2(H) × 110(B) × 29.3(D)mm
- Gewicht: ongeveer 330g
- Aantal relaiscontacten: 2
- Relaiscontact: wisselcontact (normaal open/ normaal gesloten)
- Schakelcapaciteit: 24V DC, 3A (resistieve belasting)
1A (inductieve belasting)
24V DC, 3A (resistieve belasting)
1A (inductieve belasting)

GARANTIE

Aiphone waarborgt zijn producten tegen materiaal- en fabricagefouten bij normaal gebruik en onderhoud gedurende een periode van twee jaar na levering aan de eindgebruiker en zal het product kosteloos herstellen of vervangen indien na onderzoek blijkt dat het defect en nog onder waarborg is. Aiphone behoudt zich het recht voor als enige definitief te bepalen of er al dan niet sprake is van een materiaal-en/of fabricagefout en of het product nog onder waarborg is. Deze waarborg geldt niet voor om het even welk Aiphone-product dat is blootgesteld aan verkeerd gebruik, verwaarlozing, een ongeval of verkeerde bediening en evenmin voor toestellen die buiten de fabriek zijn hersteld of gewijzigd. Deze waarborg geldt niet voor batterijen of schade veroorzaakt door batterijen die in het toestel zijn gebruikt. Deze waarborg dekt uitsluitend werkbankherstellingen en iedere herstelling moet worden uitgevoerd in de schriftelijk door Aiphone aangewezen winkel of werkplaats. Kosten die gepaard gaan met herstellingen ter plaatse kunnen niet worden verhaald op Aiphone. Er kan geen schadeloosstelling van Aiphone worden geëist voor enig verlies of schade als gevolg van een defect of storing tijdens het gebruik van zijn producten, of voor enig ongemak of verlies dat hieruit voortvloeit.



AIPHONE®

Providing Peace of Mind

<http://www.aiphone.net/>

AIPHONE CO., LTD., NAGOYA, JAPAN
AIPHONE CORPORATION, BELLEVUE, WA, USA
AIPHONE S.A.S., LISSES-EVRY, FRANCE

Printed in Thailand