

## Mini2 V2 Thermal Imager



The Mini2 V2 is a fantastic choice for inspecting homes and troubleshooting HVAC problems. With its high thermal resolution, SuperIR image enhancement, and accurate temperature readings, you can easily identify areas of concern and make informed decisions. Being compatible with both iOS and Android devices adds to its convenience, making it a reliable tool for thermal imaging on the go. Whether you're a homeowner or a professional, the Mini2 V2 is a versatile smartphone thermal camera that can assist you in various thermal imaging tasks.

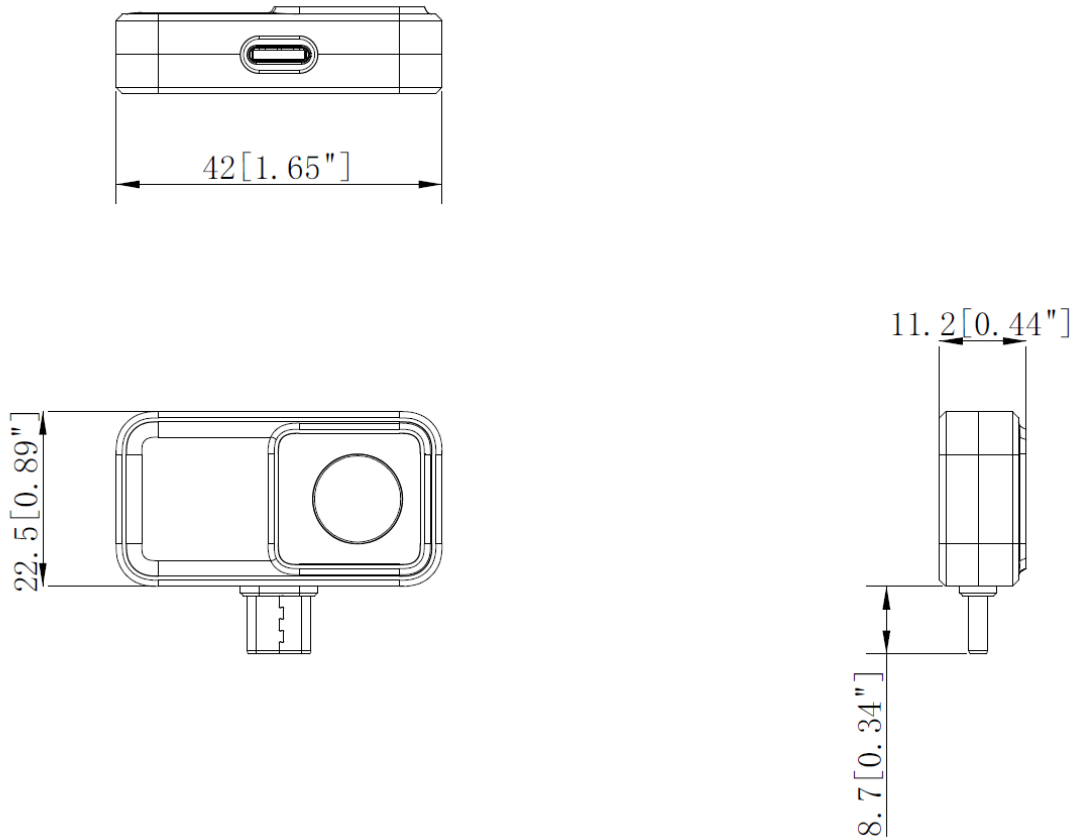
### Key Features

- Thermal resolution: 256 × 192 (49,152 pixels)
- SuperIR image enhancement technology on live view and captured images
- 3-in-1: USB-C (iOS & Android), Lightning (Includes a Lightning to USB-C adapter)
- NETD: < 40 mK (@ 25 °C, F#=1.0)
- Accuracy: ±2 °C (-20 °C to 100 °C) ; ±2 % (100 °C to 400 °C)
- 20 g Weight

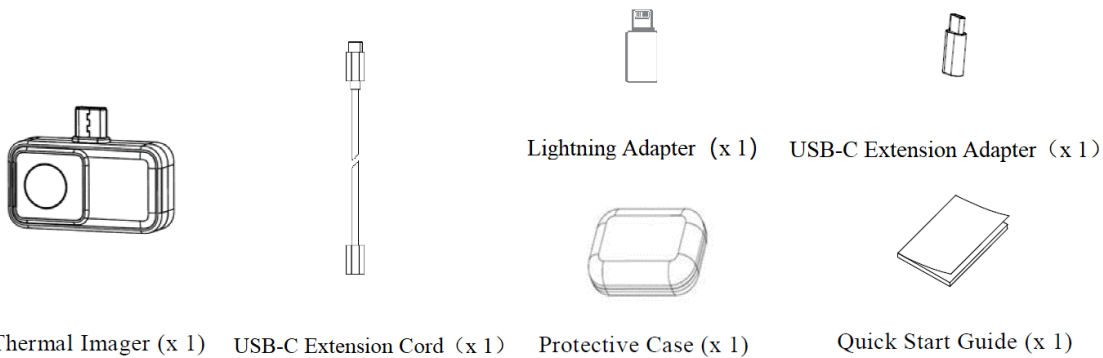
## ▪ Specification

Infrared Image	
IR Resolution	256 × 192 (49,152 pixels)
SuperIR	Yes, on captured images and live view
NETD	< 40 mK (@ 25 °C, F#=1.0)
Image Frequency	25 Hz
Detector Pitch	12 μm
Spectral Range	7.5 to 14 μm
Focal Length	3.5 mm
F-number	F1.0
Field of View (FOV)	50° × 37.2°
Min. Focus Distance	0.2 m (0.66 ft)
Focus Mode	Focus Free
Image Display	
Color Palettes	White Hot, Black Hot, Rainbow, Ironbow, Sepia, Color, Ice Fire, Rain, Red Hot, Green Hot, Dark Blue, Combined
Image Modes	Thermal, PIP
Measurement and Analysis	
Object Temperature Range	-20°C to 400°C(-4°F to 752°F )
Accuracy	Max (±2°C/3.6°F, ±2%), for ambient temperature 15°C to 35°C (59°F to 95°F) and object temperature above 0°C (32°F)
Measurement Tools	Center Spot, Hot Spot, Cold Spot User-definable: 3 spots, 3 rectangles and 1 line .
Level and Span Mode	Auto/Manual
General	
Power Consumption	360 mW
Interface	USB-C Android, USB-C iOS, Lightning iOS (Includes a Lightning to USB-C adapter)
Device Compatibility	iOS (version 14 and later), Android (version 7 and later) smartphones and tablets, or Windows devices
Software Compatibility	HIKMICRO Viewer app for iOS and Android, HIKMICRO Analyzer software for Windows
Protection Level	IP40
Drop Test Height	1 m (3.28 ft)
Working Temperature Range	-10°C to 50°C (14°F to 122°F )
Storage Temperature Range	-20°C to 60°C (-4°F to 140°F )
Dimension	42 × 22.5 × 11.2 mm (1.65 × 0.89 × 0.44 in)
Weight	Approx. 20 g (0.044 lb)

## ▪ Dimension



## ▪ Packaging



**COMPLIANCE NOTICE:** The thermal series products might be subject to export controls in various countries or regions, including without limitation, the United States, European Union, United Kingdom and/or other member countries of the Wassenaar Arrangement. Please consult your professional legal or compliance expert or local government authorities for any necessary export license requirements if you intend to transfer, export, re-export the thermal series products between different countries.